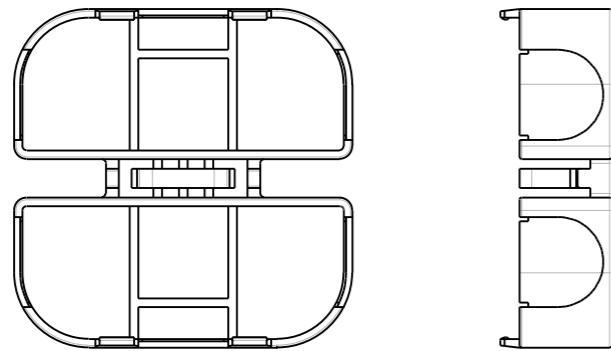
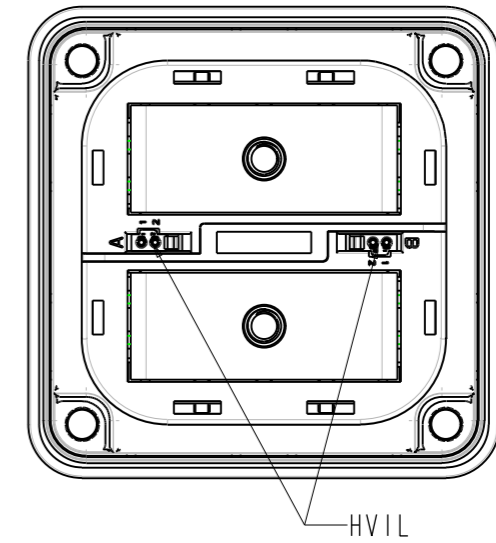
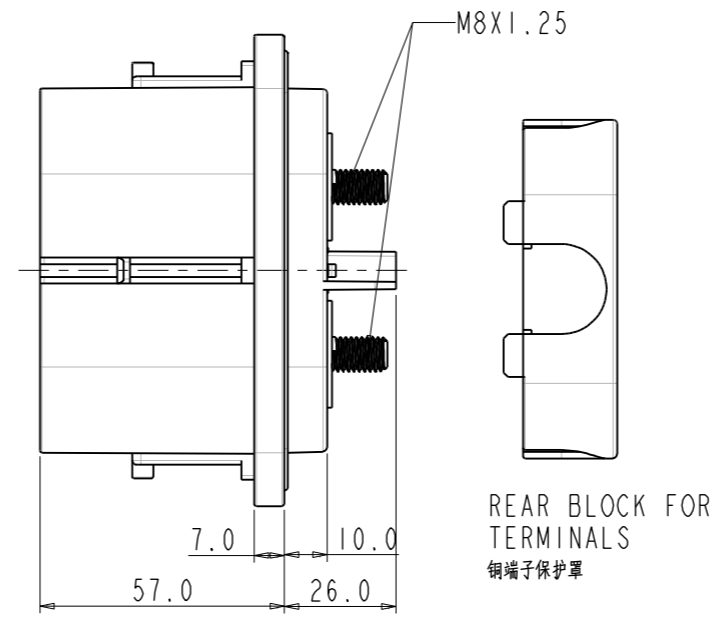
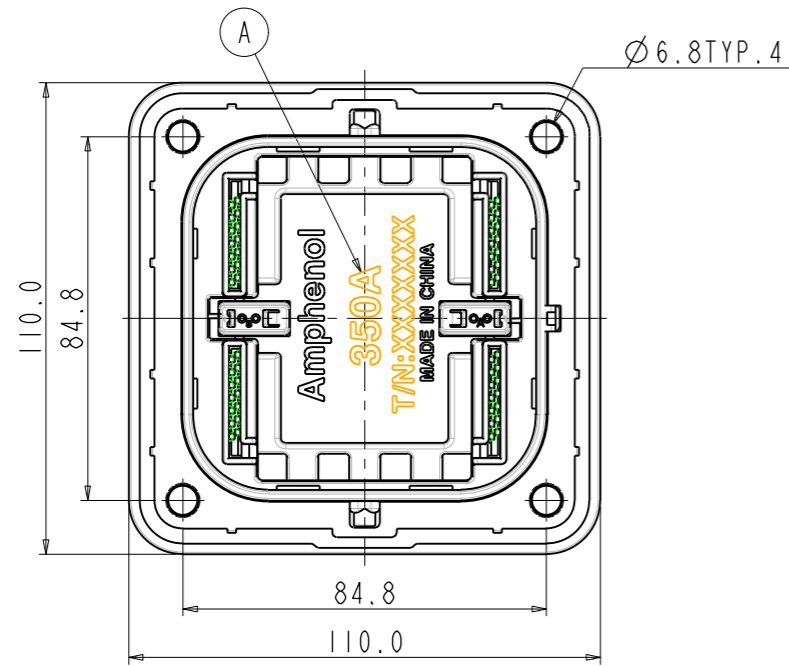
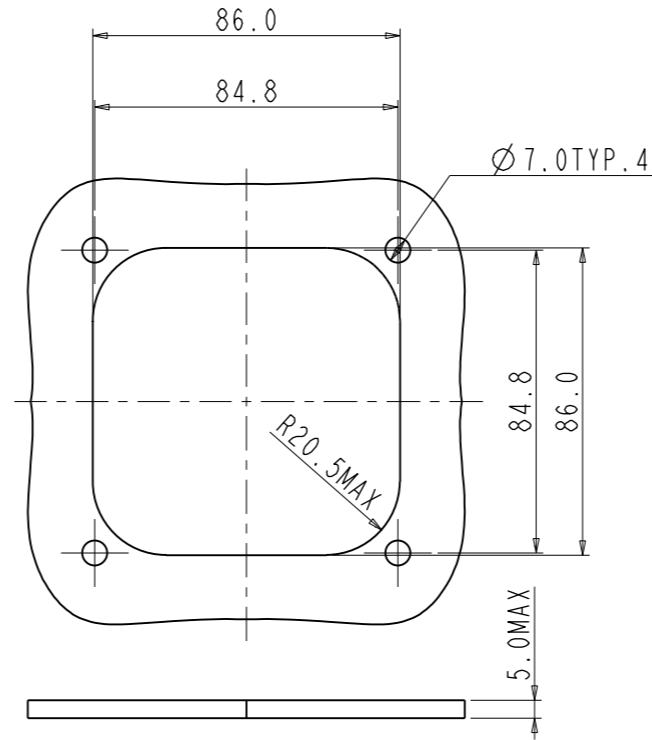


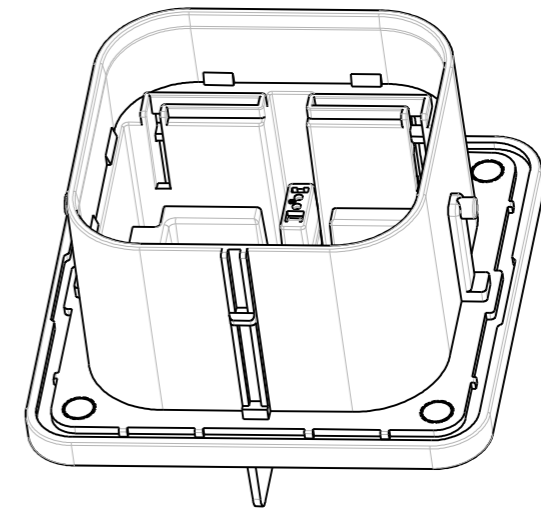
REV	ECN	DESCRIPTION	DATE	MODIFIED
1		PRE-RELEASE	31-Jan-13	J.SHUAI



REAR BLOCK FOR TERMINALS / 铜端子保护罩



FRONT MOUNTING INTERFACE SPECIFICATION
前安装方式安装面板尺寸



A	FUSE 熔断器规格	200A	250A	315A	350A 推荐	400A	450A	500A	550A 推荐	630A	SHUNT
	MARKING 对应插座印字	200A	250A	315A	350A	400A	450A	500A	550A	630A	SHUNT

NOTES:

- THREADED STUD TORQUE LIMITS (M8): 20Nm±0.5Nm
接线端子锁紧力矩 M8)最大 20Nm±0.5Nm
- HVIL CONNECTOR: MSD-HVIL-2S
HVIL信号连接器型号 MSD-HVIL-2S
- MOUNTING SURFACE THICKNESS: MAX 5mm
法兰安装板厚度 最大5mm
- INNER HOUSING MAY BE ASSEMBLED ROTATED 180° FROM AS SHOW
内部插芯有可能与图纸中的方向相差180°
- MAX LUGS TERMINALS 95mm² IF ADDED REAR BLOCK
MAX LUGS TERMINALS 120mm² IF NO NEED REAR BLOCK
安装保护罩时 最大可以接95mm²铜端子
不安装保护罩时 最大可以接120mm²铜端子

DIMENSIONS	TOLERANCES	PROJECTION	TITLE		
ANSI Y14.5M UNITS: MM Pro/E FILE	.X ±0.2 .XX ±0.10 ANGLES ±0.5°		Amphenol Pcd Shenzhen ENGR J.SHUAI 31-Jan-13 CHKD APPD		
ORIGINAL NOT FOR CUSTOMER DISTRIBUTION	THIS DOCUMENT CONTAINS PROPRIETARY INFORMATION WHICH IS THE CONFIDENTIAL PROPERTY OF AMPHENOL PCD SHENZHEN				
			CODE: 58982	SCALE: 3:5	SHEET 1 OF 1

MSD-F-XXXX-F

MSD-F-XXXX-F