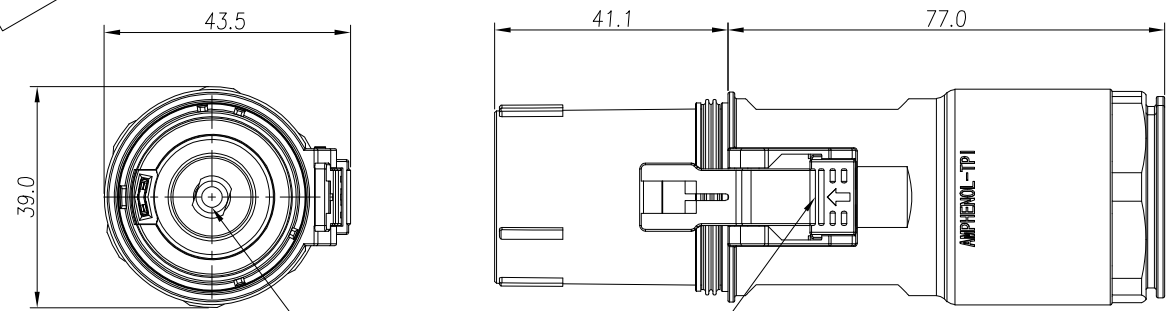


THIS DRAWING IS SUPPLIED FOR INFORMATION ONLY. DESIGN FEATURES, SPECIFICATIONS AND PERFORMANCE DATA SHOWN HEREON ARE THE PROPERTY OF THE AMPHENOL CORPORATION. NO RIGHTS OF REPRODUCTION ARE IMPLIED. ALL DIMENSIONS ARE SUBJECT TO NORMAL MANUFACTURING VARIATIONS.

REVISIONS						
REV	ZONE	ECO	DESCRIPTION	DATE	BY	APPR
01	---	---	INITIAL RELEASE	10/13/20	Clay	JL
02	---	---	VERSION UPGRADE	02/02/21	Clay	JL

Customer Drawing
Preliminary Drawing
Not For Production



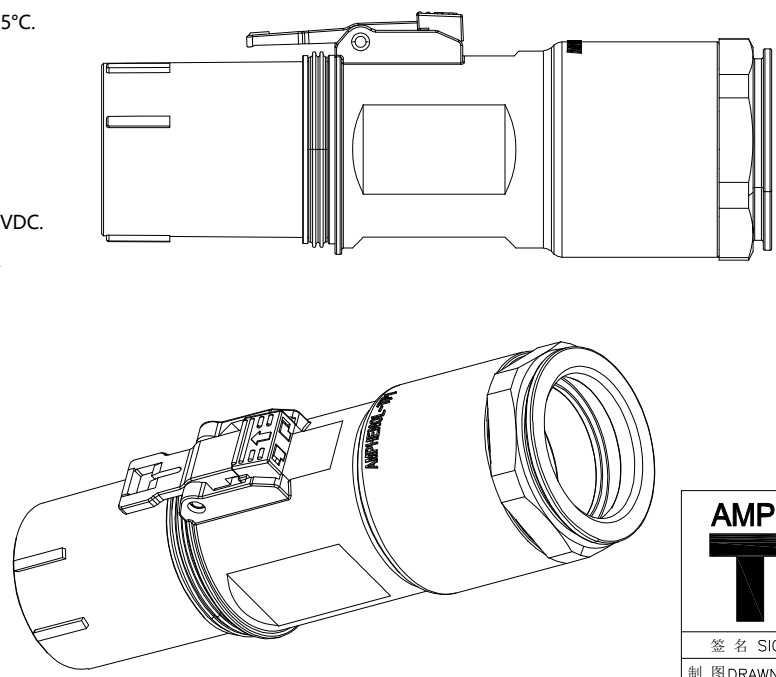
防触棒&按键颜色见“订购信息”
The color of touch proof pin and press key see “Ordering Information”

规格参数(Spec):

- 1.工作温度 Operating temperature: -40°C ~ +125°C.
- 2.额定电流 Current rating(Connector Only):
150mm²-500A. 120mm²-400A.
95mm² -300A. 70mm²-250A
- 3.额定电压 Operating voltage:1000 VDC.
- 4.耐电压 Dielectric withstanding voltage: 5000 VDC.
- 5.防护等级 Protection class:IP67(Mating) & IP2X.
- 6.电磁屏蔽 Shielding.
- 7.机械寿命 Mating cycle:100 Min.
- 8.带自动二次锁扣 Automatic secondary lock.
- 9.带高压互锁 Electrical interlock (HVIL).

备注(Note):

- 1、对应插座请参照图纸: PL00-500.
Mating Rcpt. refer to drawing: PL00-500.
- 2、安装前请阅读“组装式插头安装规范”
Pls read "connector assemble specification"
before assembling.



订购信息 Ordering Information

PL18 X - 50 1 - 150 - 5

键位及颜色 Key & Color	高压互锁 HVIL	线缆大小 Cable Size	线缆类型 Cable type
"X", 橙色 Orange	"0",不带互锁 No HVIL	"150"=150mm ²	"5"=HS Cable
"Y", 黑色 Black	"1",带互锁 With HVIL	"120"=120mm ²	
"U", 黄色 Yellow		"95"=95mm ²	
"V", 绿色 Green		"70"=70mm ²	
"W", 红色 Red			

Standard Part List (With HVIL)

P/N	Model NO.	Cable OD
EX-HA006452	PL18X-501-150-5	24.9±0.5
EX-HA006453	PL18Y-501-150-5	
EX-HA006454	PL18U-501-150-5	
EX-HA006455	PL18V-501-150-5	
EX-HA006456	PL18W-501-150-5	
EX-HA006457	PL18X-501-120-5	22.6±0.4
EX-HA006458	PL18Y-501-120-5	
EX-HA006459	PL18U-501-120-5	
EX-HA006460	PL18V-501-120-5	
EX-HA006461	PL18W-501-120-5	
EX-HA006462	PL18X-501-95-5	19.9±0.4
EX-HA006463	PL18Y-501-95-5	
EX-HA006464	PL18U-501-95-5	
EX-HA006465	PL18V-501-95-5	
EX-HA006466	PL18W-501-95-5	
EX-HA006467	PL18X-501-70-5	17.0±0.3
EX-HA006468	PL18Y-501-70-5	
EX-HA006469	PL18U-501-70-5	
EX-HA006470	PL18V-501-70-5	
EX-HA006471	PL18W-501-70-5	

Standard Part List (Without HVIL)

P/N	Model NO.	Cable OD
EX-HA006654	PL18X-500-150-5	24.9±0.5
EX-HA006655	PL18Y-500-150-5	
EX-HA006656	PL18U-500-150-5	
EX-HA006657	PL18V-500-150-5	
EX-HA006658	PL18W-500-150-5	
EX-HA006659	PL18X-500-120-5	22.6±0.4
EX-HA006660	PL18Y-500-120-5	
EX-HA006661	PL18U-500-120-5	
EX-HA006662	PL18V-500-120-5	
EX-HA006663	PL18W-500-120-5	
EX-HA006664	PL18X-500-95-5	19.9±0.4
EX-HA006665	PL18Y-500-95-5	
EX-HA006666	PL18U-500-95-5	
EX-HA006667	PL18V-500-95-5	
EX-HA006668	PL18W-500-95-5	
EX-HA006669	PL18X-500-70-5	17.0±0.3
EX-HA006670	PL18Y-500-70-5	
EX-HA006671	PL18U-500-70-5	
EX-HA006672	PL18V-500-70-5	
EX-HA006673	PL18W-500-70-5	

	Amphenol Technical Products International GZ					PART NAME: PowerLok 14mm Plug Conn	
	第三角投影 THIRD ANGLE PROJECTION	页面 SHEET 1 of 1	幅面 SIZE A3	版次 REV. 02	比例 SCALE -	DWG NO: PL18X-501-150-5	
签名 SIGNATURE Clay		日期 DATE 02/02/21		UNLESS OTHERWISE SPECIFIED 1) All dimensions are in metric(mm). 2) Tolerances are as follows: 0 PL DEC ±1.00 1 PL DEC ±0.50 2 PL DEC ±0.20		CUST PART #: N/A	
制图 DRAWN Clay		审核 CHECKED		批准 APPROVAL		CUST REV. -	

THIS DRAWING IS SUPPLIED FOR INFORMATION ONLY. DESIGN FEATURES, SPECIFICATIONS AND PERFORMANCE DATA SHOWN HEREON ARE THE PROPERTY OF THE AMPHENOL CORPORATION. NO RIGHTS OF REPRODUCTION ARE IMPLIED. ALL DIMENSIONS ARE SUBJECT TO NORMAL MANUFACTURING VARIATIONS.