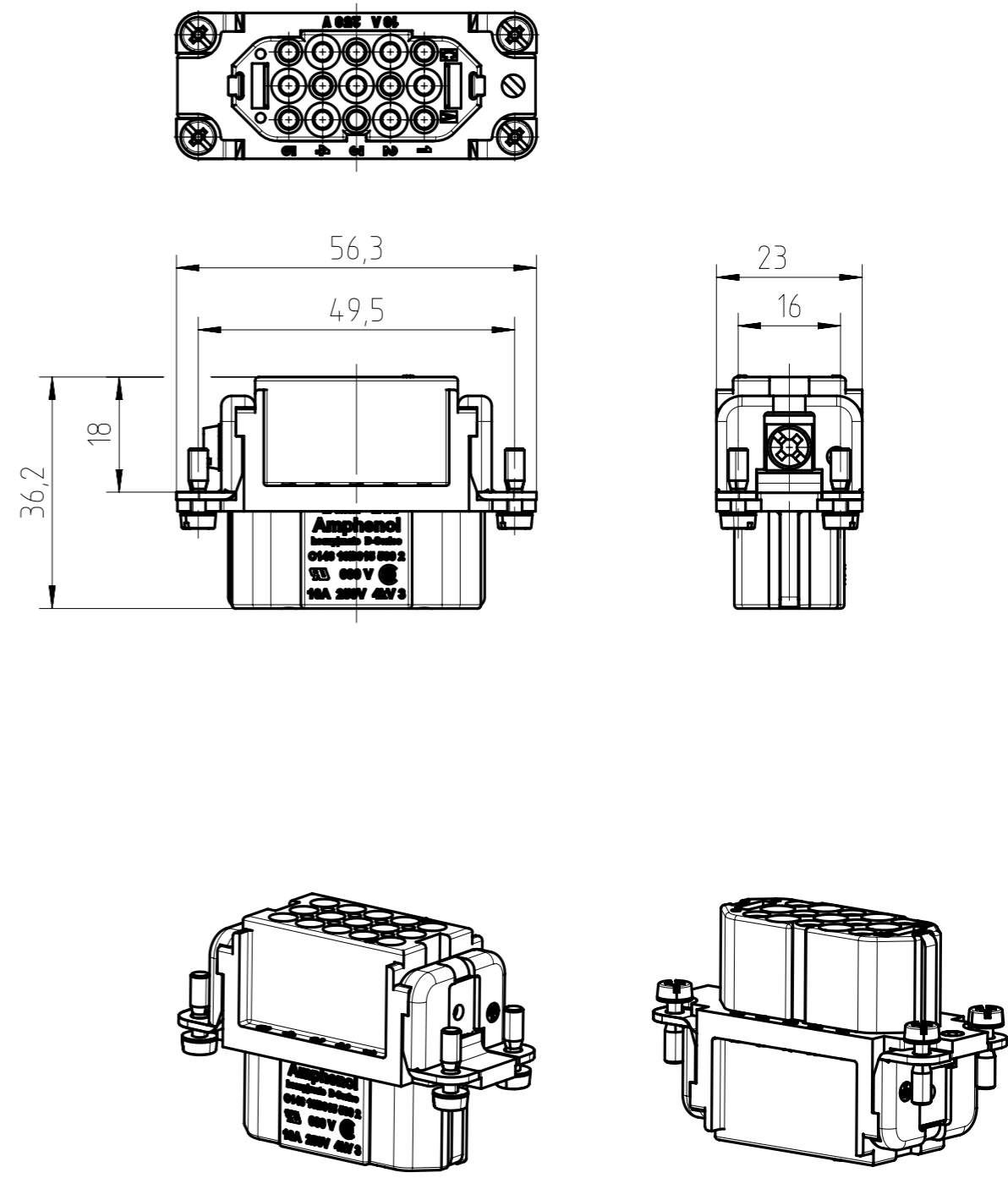


Copying of this document and giving it to others and the use or communication of the contents thereof, are forbidden without express authority. Offenders are liable to the payment of damages. All rights are reserved in the event of the grant of a patent or the registration of the utility model or design.

Weitergabe sowie Vervielfältigung dieser Unterlage, Verwertung und Mitteilung ihres Inhalts nicht gestattet, soweit nicht ausdrücklich zugestanden. Zuwiderhandlungen verpflichten zu Schadenersatz. Alle Rechte für den Fall der Patenterteilung oder Gebrauchsmuster-Eintragung vorbehalten.

General Characteristics		Standard	Value
number of contacts			64 + PE
contacts termination technique			crimp
contacts type			machined contacts
contacts wire gauge			0,14 mm ² - 2,5 mm ² AWG 26 - AWG 14
contacts max. cable diameter			3,7 mm
PE contacts termination technique			screw
PE contacts wire gauge (wire end sleeve recommended)			max. 6 mm ² (10 - 16 mm ² with cable lug)
PE contacts torque			1,8 Nm
4xM3 assembly bolts torque			1,2 - 1,8 Nm
protection class		IEC 60529	IP00 (unmated)
			IP20 (mated)
approvals		UL 1977	ECBT2.E63093
		CSA C22.2	048932_0_000
Electrical Characteristics		Standard	Value
rated voltage		IEC 60664-1	250V (UL/CSA: 600V)
pollution degree		IEC 60664-1	3
rated impulse withstand voltage		IEC 60664-1	4 kV
rated current T _{amb} = 40 °C			10 A
current carrying capacity		IEC 60512-5-2	see derating curve
contact resistance		IEC 60512-2-1	≤ 5 mΩ
insulation resistance		IEC 60512-3-1	≥ 10 ¹⁰ Ω
Climatical Characteristics		Standard	Value
operating temperature		IEC 60068-1	-40 - +125°C
Mechanical Characteristics		Standard	Value
mechanical operation		IEC 60512-9-1	≥500 mating cycles
mating/unmating force (in new condition, only PE contacts)		IEC 60512-13-2	≥80 N
Materials		Standard	Value
insert material			PC-GF
insert flammability		UL 94	V-0
		EN 45545	HL3 acc. to R22/R23
insert color			grey
PE contacts material			CuZn (brass)
PE contacts plating			Ni (nickel)



Alle technischen Daten wurden unter Laborbedingungen ermittelt und können im Praxisbetrieb abweichen. Es handelt sich bei den Angaben weder um Beschaffenheits- noch um Haltbarkeitsgarantien.
All technical data have been measured in a laboratory environment and can be different during practical usage of the product. Any product information is for descriptive usage only and not legally binding, particularly the information does not constitute or provide any legal guarantees ("Beschaffenheitsgarantie" or "Haltbarkeitsgarantie").

Gewicht (errechnet) / Calc WT: 0,034 kg		Zul. Abw./Tolerances:		Maßstab / Scale: 1:1 (1:2)		A3			
Prüfmaß / Testdimension		ISO 2768-m		DIN / ISO 13715		CUSTOMER DRAWING			
Teileindex / Partindexnumber:									
Bagatelle change:						Buchseneinsatz 15-pol + PE female insert 15 pole + PE			
		Gez. 09.12.2013				M C146 10B015 500 2			
		Drawn jhoennige							
		Status Released				Blatt / Sheet 1 Bl.			
		Gepr. 20.09.2022							
		Checked MBERTSCH				Ers. f. l. Replacement for: M-C146 10B015 500 2 Rev.01			
02 202200001		20.09.2022		MTOLK		Amphenol Tuchel Industrial GmbH			
Index		Änderung / Description		Datum / Date					