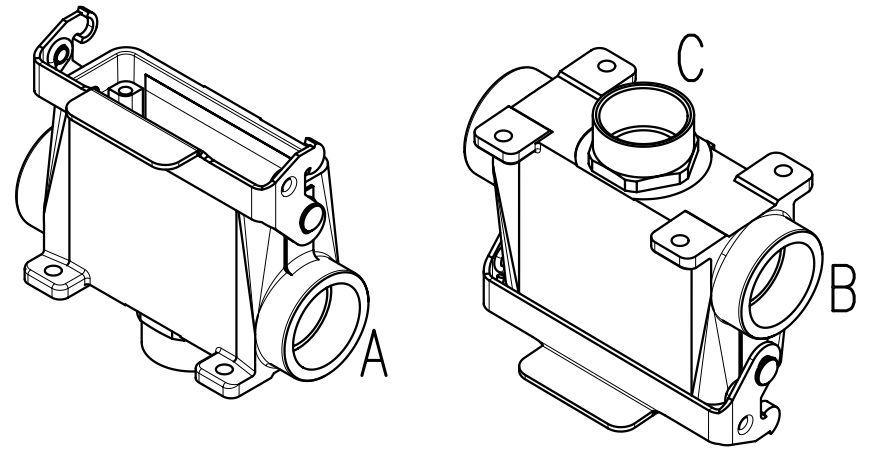
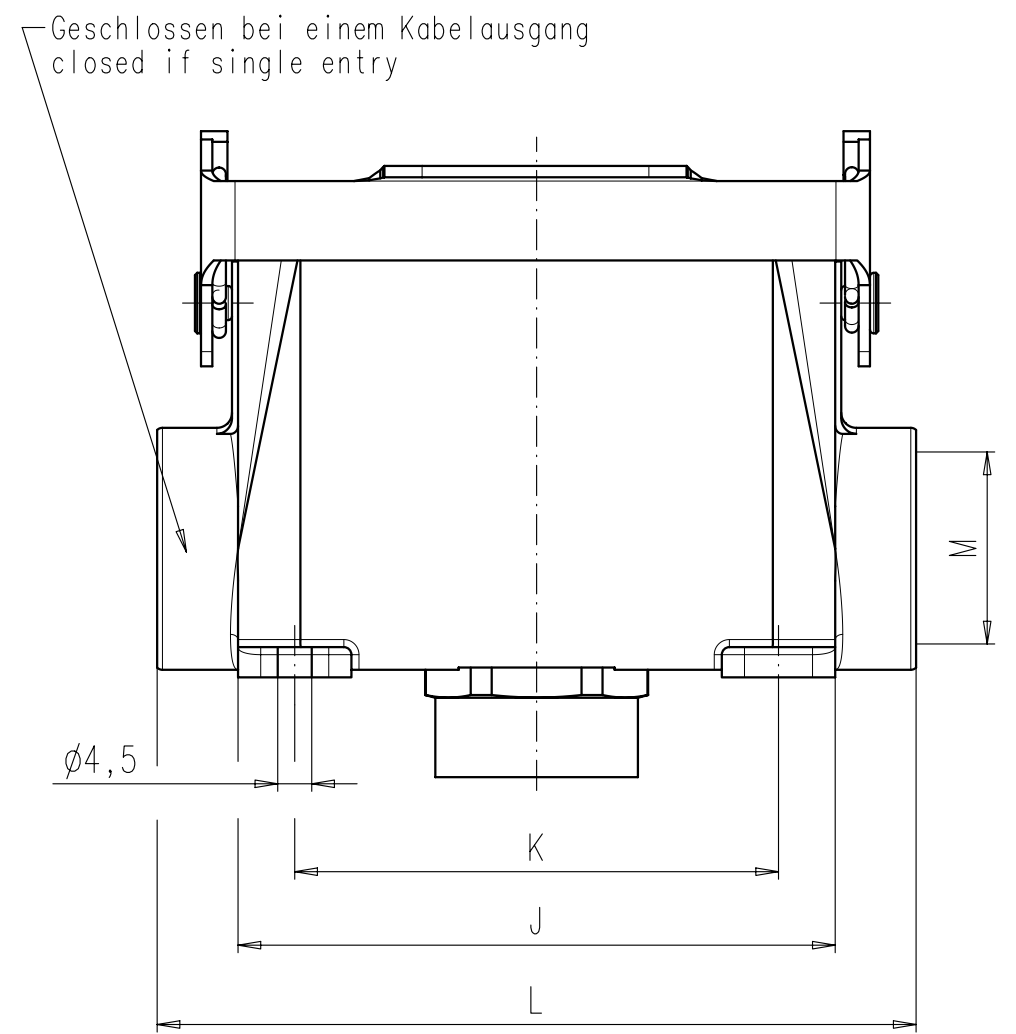
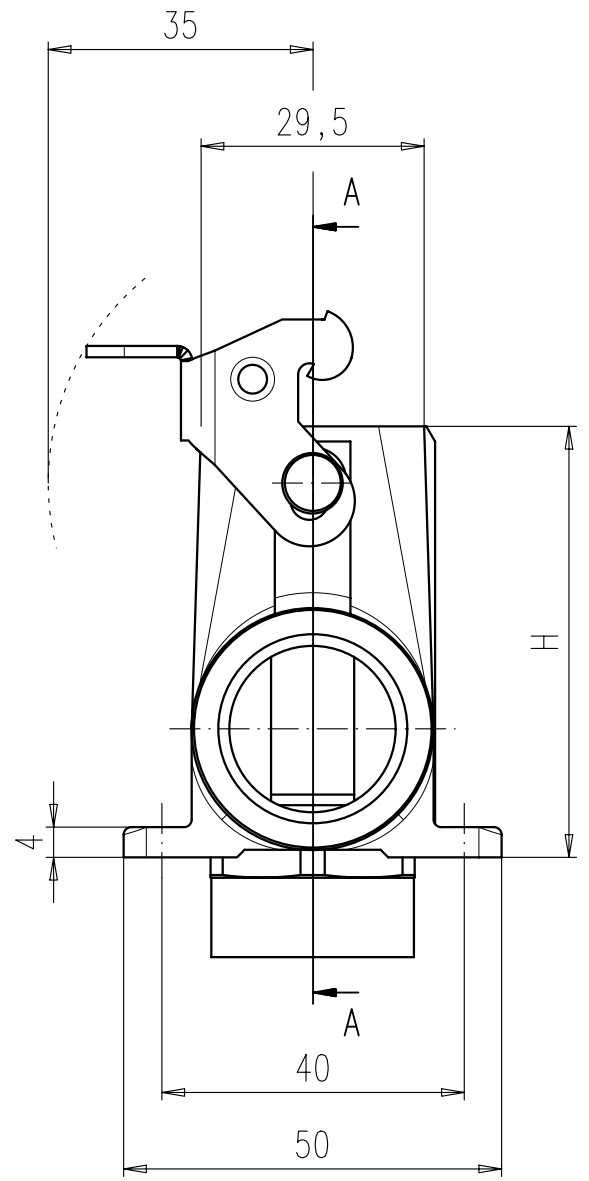
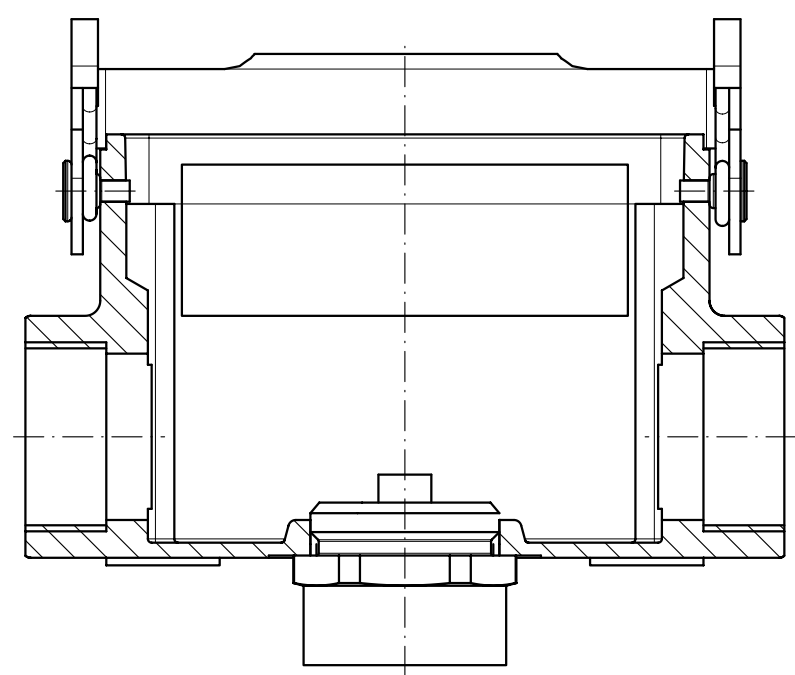


Copying of this document and giving it to others and the use or communication of the contents thereof, are forbidden without express authority. Offenders are liable to the payment of damages. All rights are reserved in the event of the grant of a patent or the registration of the utility model or design.

Schnitt A - A
section



Fertigzustand: gratfrei
Final product: without burrs

Alle technischen Daten wurden unter Laborbedingungen ermittelt und können im Praxisbetrieb abweichen. Es handelt sich bei den Angaben weder um Beschaffenheits- noch um Haltbarkeitsgarantien.
 All technical data have been measured in a laboratory environment and can be different during practical usage of the product. Any product information is for descriptive usage only and not legally binding; particularly the information does not constitute or provide any legal guarantees ("Beschaffenheitsgarantie" or "Haltbarkeitsgarantie").

Gewicht (errechnet) / Calc WT: 9		Zul. Abw. / Tolerances:		Maßstab / Scale 1:1; 1:2		A3			
Prüfmaß / Testdimension				CUSTOMER DRAWING					
Teileindex Part index number		04		Datum / Date 30.11.		Name Cionvica		Sockelgehäuse mit Längsbügel Housing with 1 locking-lever 15 Pol. und 25 Pol.	
Gez. / Drawn		Gep. / Checked		Amphenol-Tuchel Electronics GmbH		M C146 10NOX5 XXX 2 - SA		Blatt / Sheet 1	
Index		Änderung / Description		Datum / Date		Name		Ers. f. / Similar to: M-C146 10NOX5 XOX 2 - SA	