

| Kontaktgrößen contact sizes | Anschlussquerschnitt terminal cross-section | AWG AWG | Isolationsdurchmesser diameter cable insulation | Beschichtung contact plating | Höhe H height H | Länge L length L | Gewicht weight | Crimpzange crimp tool | Crimpbacken crimping dies | Kontaktaufnahme contact locator |
|-------------------------------------|--|------------|---|---|--------------------|---------------------|-------------------|---|------------------------------|------------------------------------|
| N 01 016 0003 1 | 0,14-0,5 mm ² | 26-20 | ∅ 1,0- ∅ 2,0 | Ag (silver) | 2,1 | 26,7 | 0,6 g | TA 0000 oder / or TA 0500 oder / or EK 15/50 ML (Klauke) | TA 0000 202 | TA 0001 146 0001 |
| N 01 016 0002 1, N 01 016 0015 1 | 0,5-1,5 mm ² | 20-16 | ∅ 1,8- ∅ 2,8 | Ag High Current (silver) | 3,0 | | | | TA 0000 163 | TA 0002 146 0001 |
| N 01 016 0005 1, N 01 016 0016 1 | 1,5-2,5 mm ² | 16-14 | ∅ 2,5- ∅ 3,5 | Ag (silver) | 4,0 | 28,7 | | | TA 0000 141 | TA 0007 146 0003 |
| N 01 016 0003 2 | 0,14-0,5 mm ² | 26-20 | ∅ 1,0- ∅ 2,0 | Ag High Current (silver) | 4,0 | 28,7 | | | TA 0000 202 | TA 0001 146 0001 |
| N 01 016 0002 2 | 0,5-1,5 mm ² | 20-16 | ∅ 1,8- ∅ 2,8 | Au (gold) crimp area. Ni (nickel) | 2,1 | 26,7 | | | TA 0000 163 | TA 0002 146 0001 |
| N 01 016 0005 2 | 1,5-2,5 mm ² | 16-14 | ∅ 2,5- ∅ 3,5 | Au (gold) crimp area. Ni (nickel) | 3,0 | 26,7 | | | TA 0000 141 | TA 0007 146 0003 |

vereinzelte Kontakte im Beutel /
single contacts in PE bag

Kontakte am Band für Crimpzange /
contact on reel for manual crimping tool

Kontakte am Band für Crimpmaschine Zuführung links /
contact on reel for crimping machine infeed left

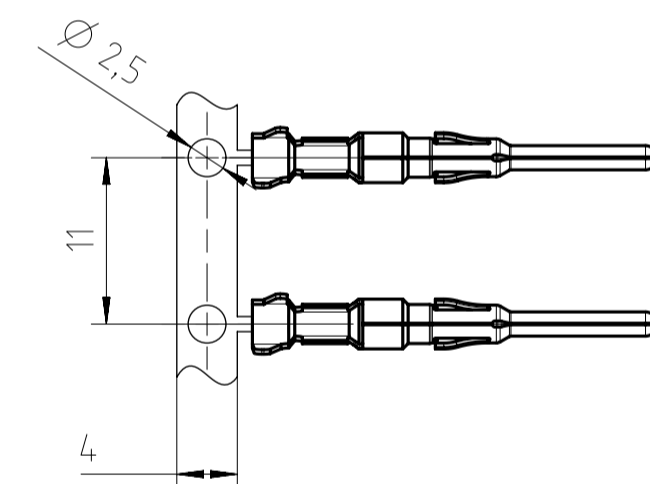
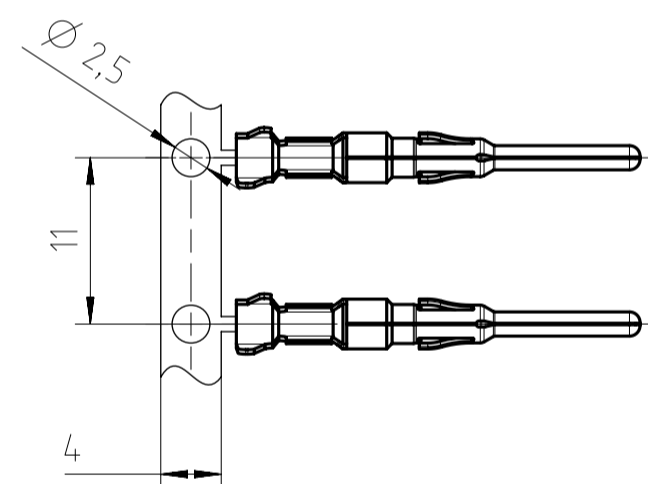
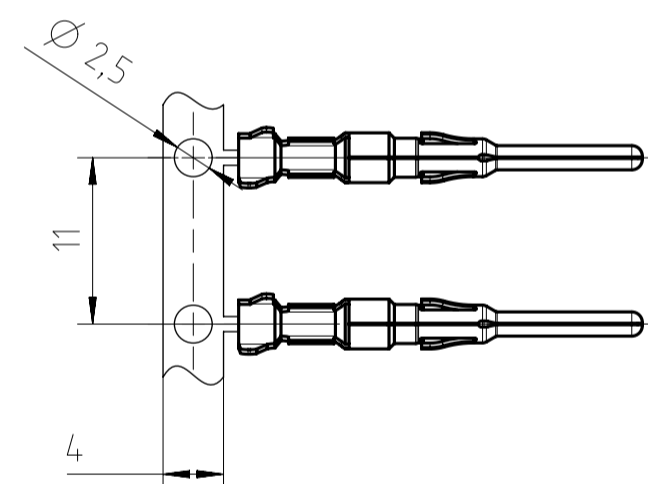
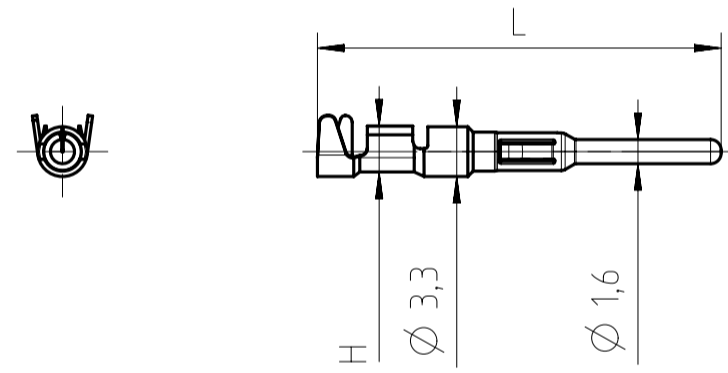
Kontakte am Band für Crimpmaschine Zuführung rechts /
contact on reel for crimping machine infeed right

| Bestellnummer order number | Beschichtung contact plating | Lieferform delivery condition |
|-------------------------------|---|----------------------------------|
| VN01 016 0003 1 | Ag (silver) | 100 contacts |
| VN01 016 0002 1 | | |
| VN01 016 0015 1 | Ag HC (silver) | |
| VN01 016 0005 1 | Ag (silver) | |
| VN01 016 0016 1 | Ag HC (silver) | |
| VN01 016 0003 2 | Au (gold) crimp area. Ni (nickel) | |
| VN01 016 0002 2 | | |
| VN01 016 0005 2 | | |

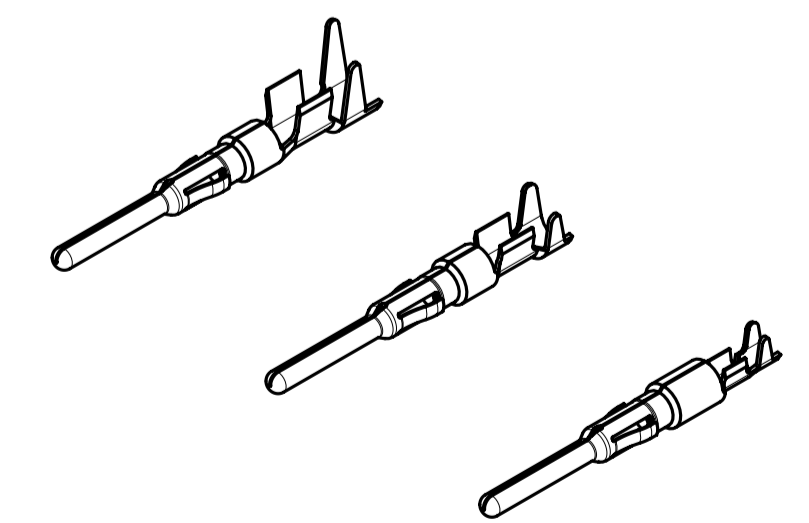
| Bestellnummer order number | Beschichtung contact plating | Lieferform delivery condition |
|-------------------------------|---|----------------------------------|
| ZN01 016 0003 1 | Ag (silver) | 200 contacts |
| ZN01 016 0002 1 | | |
| ZN01 016 0015 1 | Ag HC (silver) | |
| ZN01 016 0005 1 | Ag (silver) | |
| ZN01 016 0016 1 | Ag HC (silver) | |
| ZN01 016 0003 2 | Au (gold) crimp area. Ni (nickel) | |
| ZN01 016 0002 2 | | |
| ZN01 016 0005 2 | | |

| Bestellnummer order number | Beschichtung contact plating | Lieferform delivery condition |
|-------------------------------|---|----------------------------------|
| TN01 016 0003 1 | Ag (silver) | 2000 contacts |
| TN01 016 0002 1 | | |
| TN01 016 0015 1 | Ag HC (silver) | |
| TN01 016 0005 1 | Ag (silver) | |
| TN01 016 0016 1 | Ag HC (silver) | |
| TN01 016 0003 2 | Au (gold) crimp area. Ni (nickel) | |
| TN01 016 0002 2 | | |
| TN01 016 0005 2 | | |

| Bestellnummer order number | Beschichtung contact plating | Lieferform delivery condition |
|-------------------------------|---|----------------------------------|
| HN01 016 0003 1 | Ag (silver) | 2000 contacts |
| HN01 016 0002 1 | | |
| HN01 016 0015 1 | Ag HC (silver) | |
| HN01 016 0005 1 | Ag (silver) | |
| HN01 016 0016 1 | Ag HC (silver) | |
| HN01 016 0003 2 | Au (gold) crimp area. Ni (nickel) | |
| HN01 016 0002 2 | | |
| HN01 016 0005 2 | | |



| General Characteristics | Standard | Value |
|---|----------------|--|
| contacts termination technique | | crimp |
| contacts type | | stamped contacts |
| cable type | IEC 60228 | class 5 (fine-strand) |
| stripping length | | N 01 016 0003 X: 3,0 ⁺¹ ₋₀ N 01 016 0002 X, N 01 016 0015 X, N 01 016 0016 X, N 01 016 0005 X: 3,5 ⁺¹ ₋₀ |
| Electrical Characteristics | Standard | Value |
| rated current T _{amb} = 40 °C | | depending on contact insert |
| current carrying capacity | IEC 60512-5-2 | see derating curve |
| contact resistance | IEC 60512-2-1 | ≤ 5 mΩ |
| Climatical Characteristics | Standard | Value |
| operating temperature | IEC 60068-1 | -40 - +125 °C |
| Mechanical Characteristics | Standard | Value |
| mechanical operation | IEC 60512-9-1 | ≥10000 mating cycles |
| mating/unmating force (in new condition) | IEC 60512-16-5 | ≤5 N |
| Materials | Standard | Value |
| contact material | | copper alloy |
| contact plating contact area | | Ag (silver) Ag High Current (silver) Au (gold) |
| contact plating termination area | | Ag (silver) Ag (silver) Ni (nickel) |



| | | | |
|------------------------------------|---------------------------------|---|------|
| Gewicht (rechnerisch) / Calc. WT.: | Zul. Abw./Tolerances: | Maßstab / Scale: 2:1 (1:1) | A1 |
| Prüfmaß / Test dimension | ISO 2768-m | CUSTOMER DRAWING | |
| Teilindex / Part Index number: | DN / ISO 15715 | Stiftkontakte ∅ 1,6 mm pin contacts ∅ 1,6 mm | |
| Bagartelle change: | Gez. 21.04.2021 | Blatt / Sheet 1 | |
| | Drawn: PWOELFFLE | 1 Bl | |
| | Status: Released | | |
| | Gepr. 16.10.2023 | | |
| | Checked: MBERTSCH | | |
| | Amphenol Tuchel Industrial GmbH | M XN01 016 000X X | |
| Index | Änderung / Description | Datum / Date | Name |
| | | | |

Weitergabe sowie Vervielfältigung dieser Unterlage, Verwertung und Mitteilung ihres Inhalts nicht gestattet, soweit nicht ausdrücklich zugestanden. Zuwiderhandlungen verpflichten zu Schadensersatz. Alle Rechte für den Fall der Patenterteilung oder Gebrauchsmuster-Eintragung vorbehalten.

Copying of this document and giving it to others and the use or communication of the contents thereof, are forbidden without express authority. Offenders are liable to the payment of damages. All rights are reserved in the event of the grant of a patent or the registration of the utility model or design.

INDEX-002 FRA2023-000791