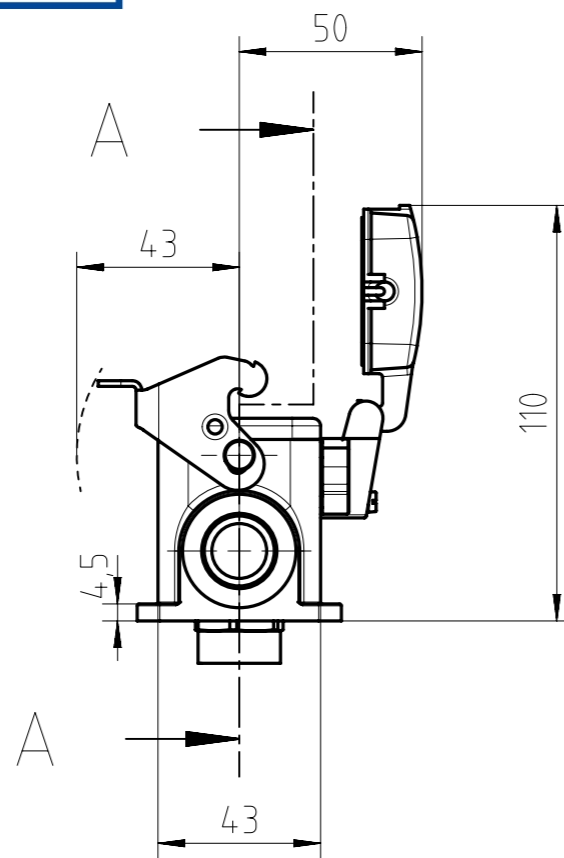
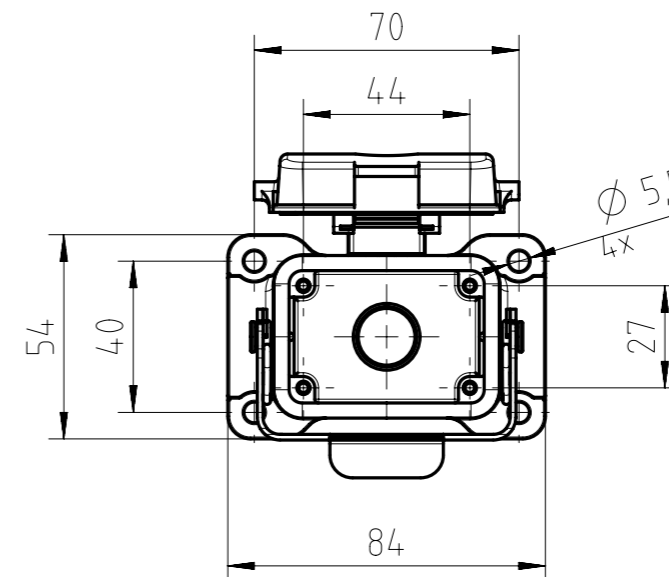
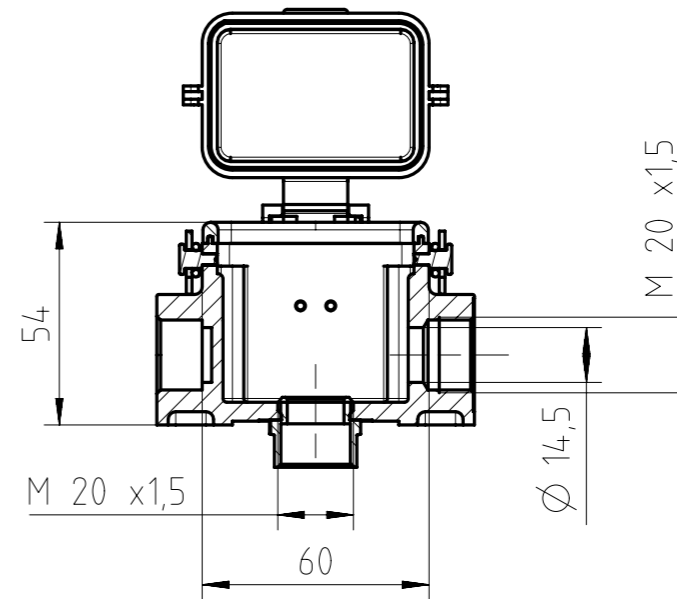


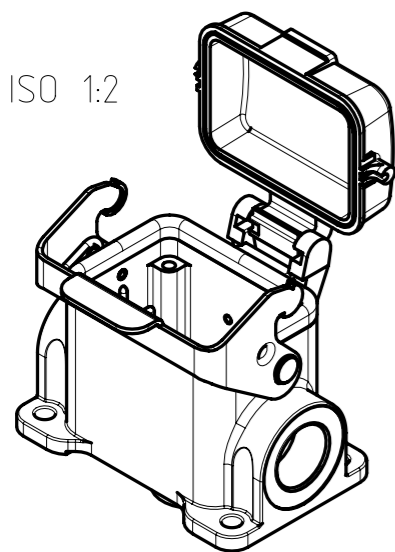
Copying of this document and giving it to others and the use or communication of the contents thereof, are forbidden without express authority. Offenders are liable to the payment of damages. All rights are reserved in the event of the grant of a patent or the registration of the utility model or design.



SECTION A-A



ISO 1:2



mit Deckel
with cover

Alle technischen Daten wurden unter Laborbedingungen ermittelt und können im Praxisbetrieb abweichen.
 Es handelt sich bei den Angaben weder um Beschaffenheits- noch um Haltbarkeitsgarantien.
 All technical data have been measured in a laboratory environment and can be different during practical usage of the product. Any product information is for descriptive usage only and not legally binding; particularly the information does not constitute or provide any legal guarantees ("Beschaffenheitsgarantie" or "Haltbarkeitsgarantie").

Gewicht (errechnet) / Calc WT: g		Zul. Abw./Tolerances:		Maßstab / Scale: 1:2		A3			
Prüfmaß / Testdimension				DIN / ISO 13715		CUSTOMER DRAWING			
Teileindex Partindexnumber				Name					
		2014	Datum/Date	Hoe.		Sockelgehäuse 6pol Längsbügel housing, 1-lever-locking			
		Gez.	04.04.						
		Gepr.							
		Checked							
				Amphenol-Tuchel Electronics GmbH		M C146 10N006 709 1		Blatt/Sheet 1	
03	2014-00280	04.04.14	Hoe.					1 Bl.	
Index	Änderung/Description	Datum/Date	Name			Ers. f. / Replacement for: M-C146 10N0XX XXX 1 - SE/TE			