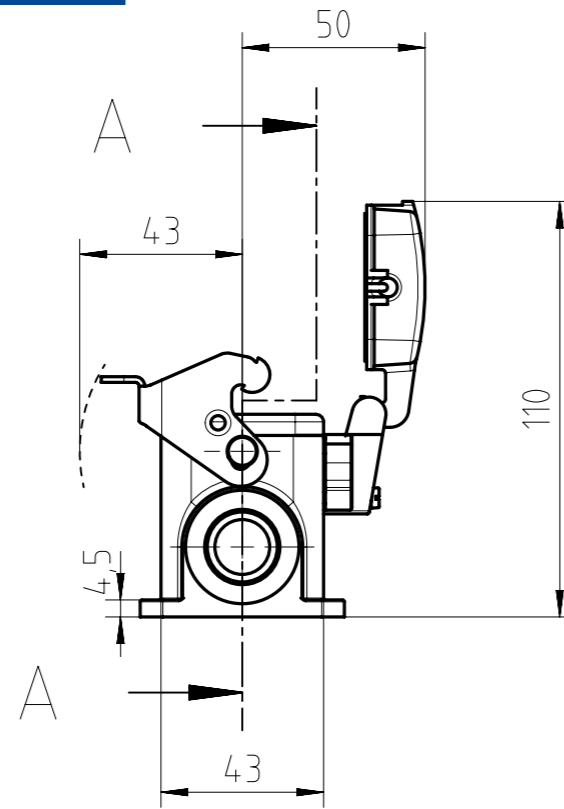
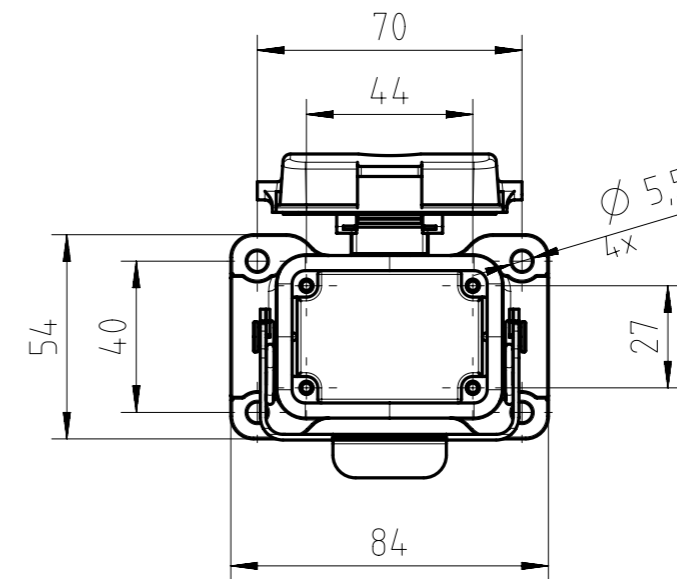
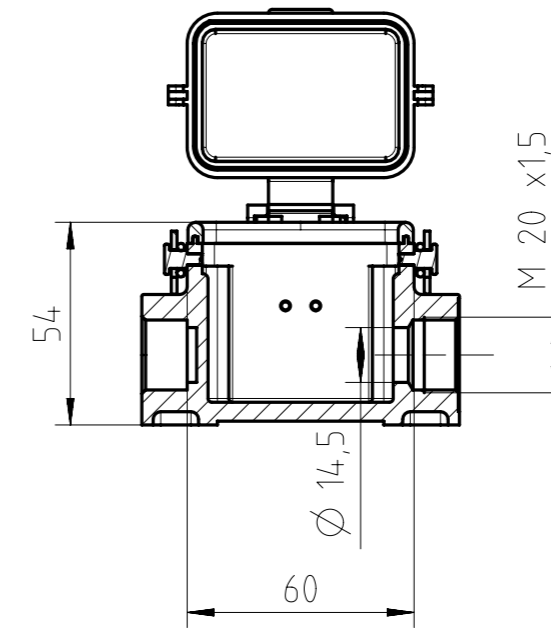


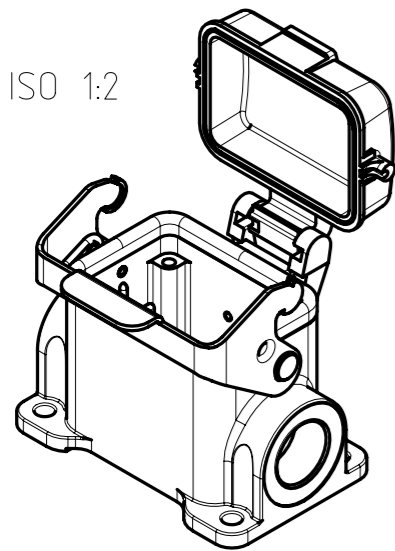
Copying of this document and giving it to others and the use or communication of the contents thereof, are forbidden without express authority. Offenders are liable to the payment of damages. All rights are reserved in the event of the grant of a patent or the registration of the utility model or design.



SECTION A-A



ISO 1:2



mit Deckel
with cover

Alle technischen Daten wurden unter Laborbedingungen ermittelt und können im Praxisbetrieb abweichen.
 Es handelt sich bei den Angaben weder um Beschaffenheits- noch um Haltbarkeitsgarantien.
 All technical data have been measured in a laboratory environment and can be different during practical usage of the product. Any product information is for descriptive usage only and not legally binding; particularly the information does not constitute or provide any legal guarantees ("Beschaffenheitsgarantie" or "Haltbarkeitsgarantie").

Gewicht (errechnet) / Calc WT: g		Zul. Abw./Tolerances:		Maßstab / Scale: 1:2		A3			
Prüfmaß / Testdimension						CUSTOMER DRAWING			
Teileindex Partindexnumber				2014 Datum/Date Name					
				Gez. 04.04. Hoe.		Sockelgehäuse 6pol Längsbügel housing, 1-lever-locking			
				Drawn					
				Gepr.		M C146 10N006 807 1			
				Checked					
						Ers. f. l. Replacement for: M-C146 10N0XX XXX 1 - SE/TE			
03 2014-00280		04.04.14		Hoe.		Amphenol-Tuchel Electronics GmbH		Blatt/Sheet 1	
Index		Änderung/Description		Datum/Date		Name		1 Bl.	