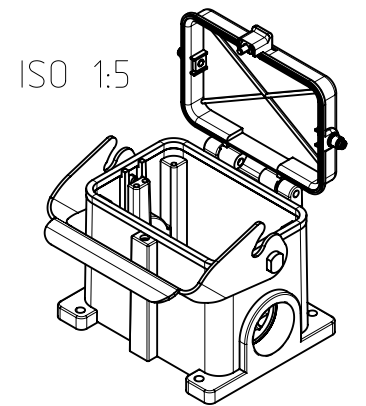
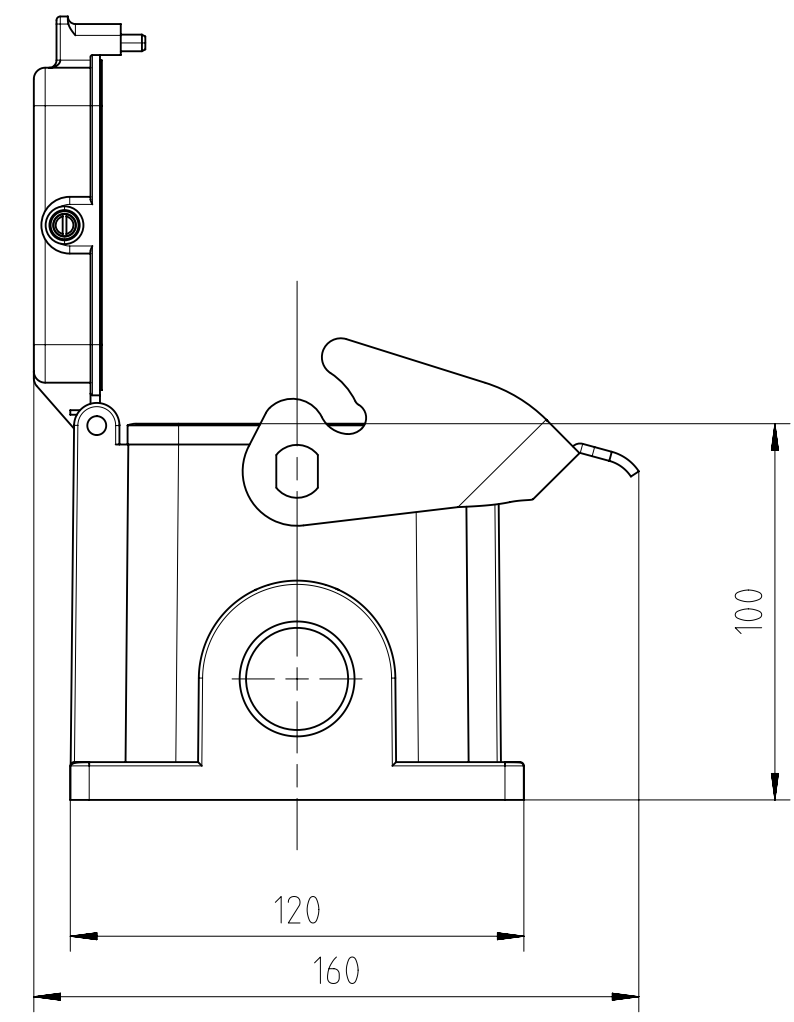
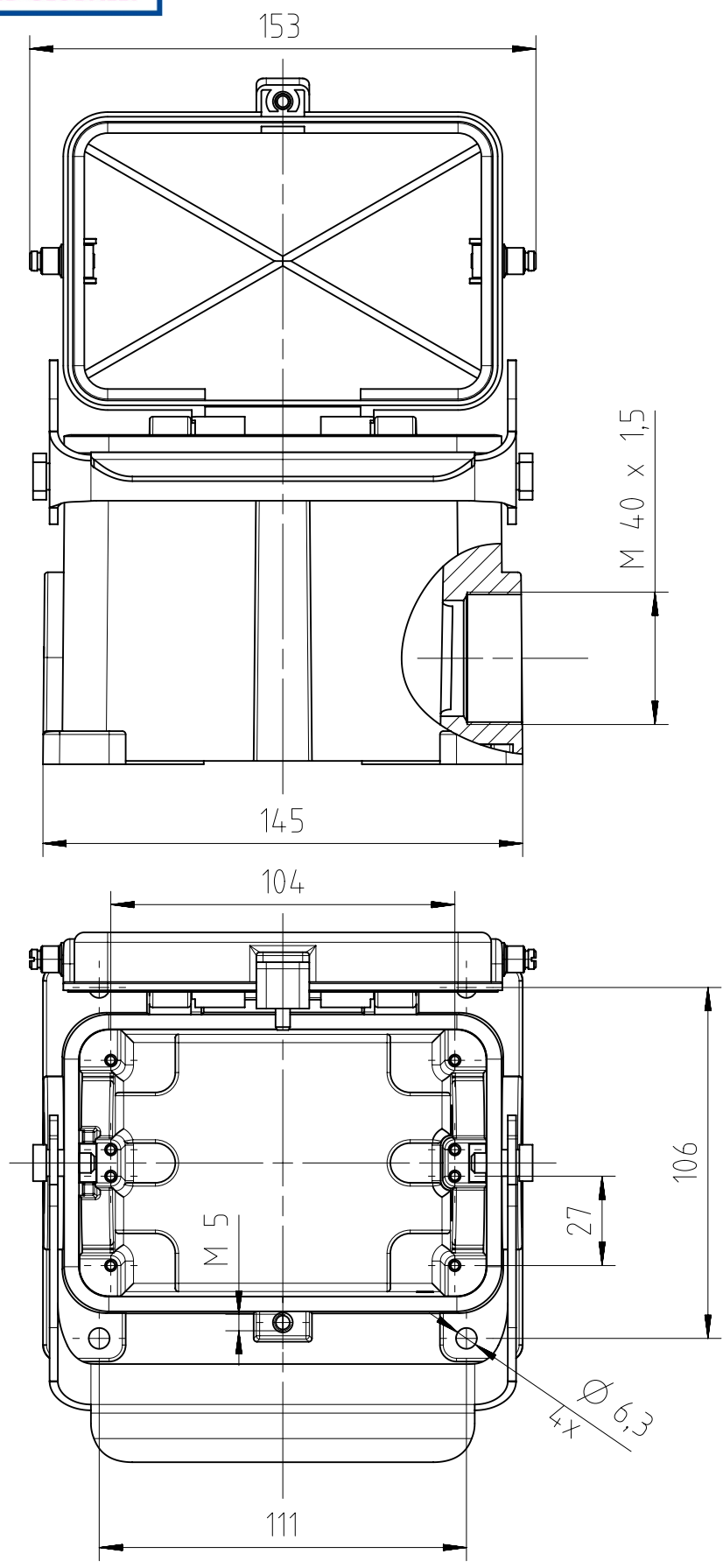


Copying of this document and giving it to others and the use or communication of the contents thereof, are forbidden without express authority. Offenders are liable to the payment of damages. All rights are reserved in the event of the grant of a patent or the registration of the utility model or design.



Alle technischen Daten wurden unter Laborbedingungen ermittelt und können im Praxisbetrieb abweichen.  
 Es handelt sich bei den Angaben weder um Beschaffenheits- noch um Haltbarkeitsgarantien.  
 All technical data have been measured in a laboratory environment and can be different during practical usage of the product. Any product information is for descriptive usage only and not legally binding, particularly the information does not constitute or provide any legal guarantees ("Beschaffenheitsgarantie" or "Haltbarkeitsgarantie").

Gewicht (errechnet) / Calc WT: 1.280 g		Zul. Abw./Tolerances:		Maßstab / Scale: 1:2		A3	
Prüfmaß / Testdimension		DIN / ISO 13715		CUSTOMER DRAWING			
Teileindex Partindexnumber		Name					
		Datum/Date		Sockelgehäuse B48 1xM40 housing with cover			
		Name					
		Gez. / Drawn		Status: Released Inspector: 27.10.2015 MGRIM			
		Datum/Date					
		Name		Amphenol-Tuchel Electronics GmbH			
		Datum/Date					
01 201500015		10.09.2015 JHÖNN		M C146 10N048 807 1			
Index		Änderung/Description					
		Datum/Date		Ers. f. / Replacement for:			
		Name					
		4.012.242		Blatt/Sheet 1 1 Bl.			