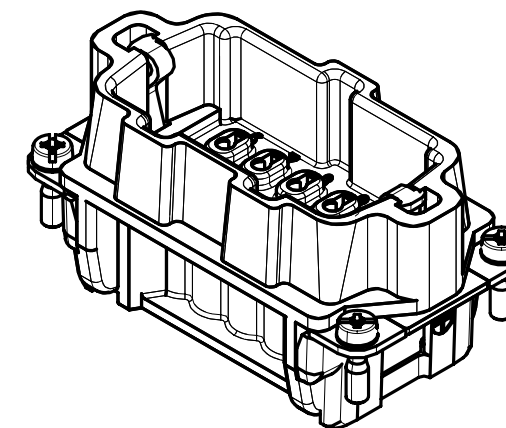
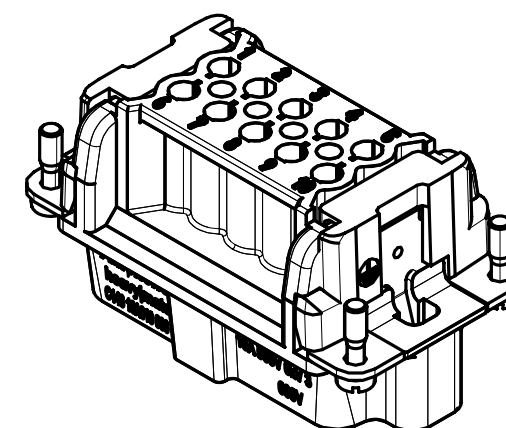
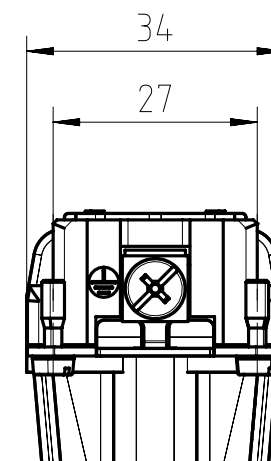
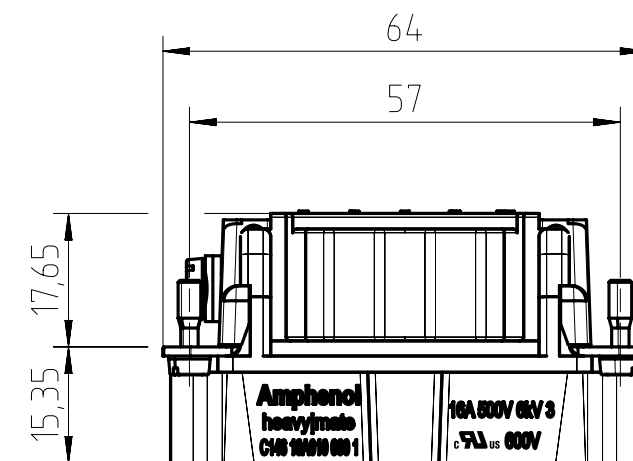
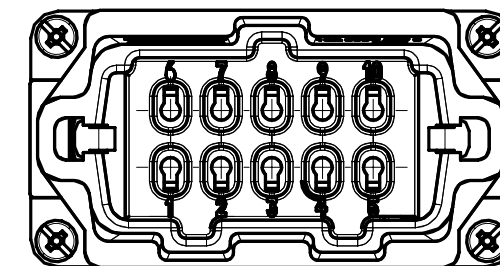


General Characteristics	Standard	Value
number of contacts		10 + PE
termination technique		crimp
wire gauge		0,5 mm <sup>2</sup> - 4 mm <sup>2</sup> AWG 20 - AWG 12
max. insulation diameter		4,0 mm
flammability	UL 94	V-0
Electrical Characteristics	Standard	Value
rated voltage	IEC 60664-1	500 V (UL/CSA 600 V)
pollution degree	IEC 60664-1	3
installation (overvoltage) category	IEC 60664-1	3
material group	IEC 60664-1	3a
rated impulse withstand voltage	IEC 60664-1	6 kV
rated current T <sub>amb</sub> = 40 °C		16 A
current carrying capacity	IEC 60512-5-2	see derating curve
contact resistance	IEC 60512-2-1	≤ 5 mΩ
insulation resistance	IEC 60512-3-1	≥ 10 <sup>10</sup> Ω
Climatical Characteristics	Standard	Value
climatic category	IEC 60068-1	40 / 125 / 21
upper temperature	IEC 60512-11-9	+125 °C
lower temperature	IEC 60512-11-10	-40 °C
Mechanical Characteristics	Standard	Value
mechanical operation	IEC 60512-9-1	≥500 mating cycles
Materials	Standard	Value
insert		PC
contacts		CuZn (brass) / CuSn ( tin bronze)
contact plating		Ag (silver) / Au (gold)
color		grey



Alle technischen Daten wurden unter Laborbedingungen ermittelt und können im Praxisbetrieb abweichen. Es handelt sich bei den Angaben weder um Beschaffenheits- noch um Haltbarkeitsgarantien.  
 All technical data have been measured in a laboratory environment and can be different during practical usage of the product. Any product information is for descriptive usage only and not legally binding; particularly the information does not constitute or provide any legal guarantees ("Beschaffenheitsgarantie" or "Haltbarkeitsgarantie").

Gewicht (errechnet) / Calc WT: 50 g		Zul. Abw./Tolerances:		Maßstab / Scale: 1:1		A3	
Prüfmaß / Testdimension		ISO 2768-m		DIN / ISO 13715		CUSTOMER DRAWING	
Teileindex / Partindexnumber:		Gez. 20.08.2018		Drawn PWOELFFLE		Stifteinsatz 10-Pol + PE	
Bagatelle change:		Status Released		Gepr. 23.08.2018		pin insert 10 pole + PE	
		Checked MGRIMM		Amphenol Tuchel Industrial GmbH		M C146 10A010 000 1	
01 201800341		20.08.2018 PWOLF				Blatt/Sheet 1	
Index Änderung/Description		Datum/Date		Name		1 Bl.	
						Ers. f. / Replacement for: M-C146 10A0XX 000 1	

Coping of this document and giving it to others and the use or communication of the contents thereof, are forbidden without express authority. Offenders are liable to the payment of damages. All rights are reserved in the event of the grant of a patent or the registration of the utility model or design.  
 Weitergabe sowie Vervielfältigung dieser Unterlage, Verwertung und Mitteilung ihres Inhalts nicht gestattet, soweit nicht ausdrücklich zugestanden. Zuwiderhandlungen verpflichten zu Schadenersatz. Alle Rechte für den Fall der Patenterteilung oder Gebrauchsmuster-Eintragung vorbehalten.

FAI2018-003834  
NXM-V01