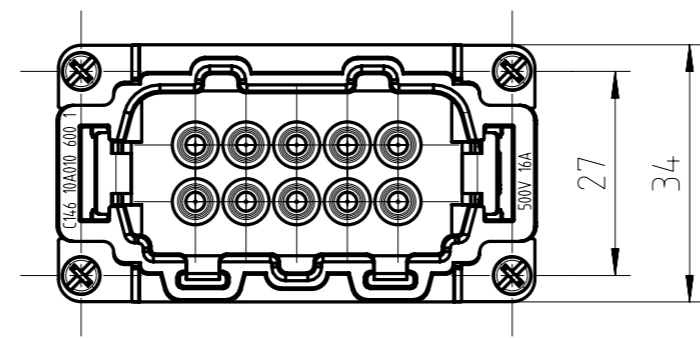
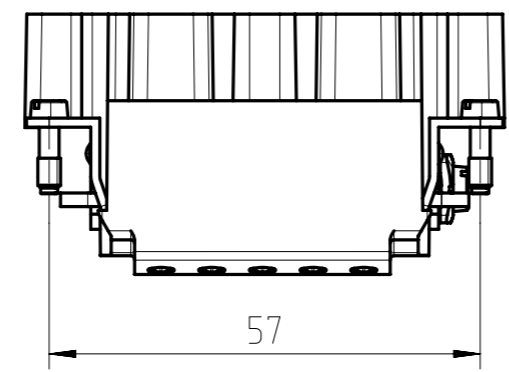
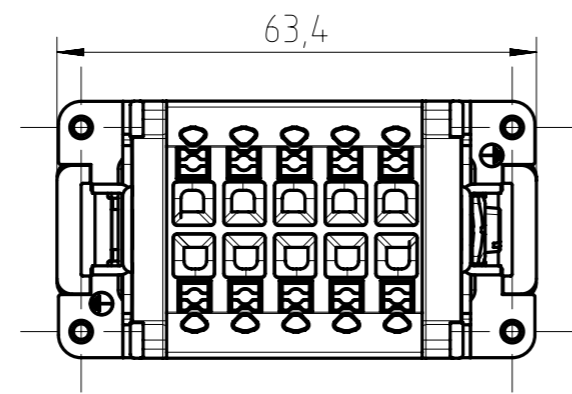
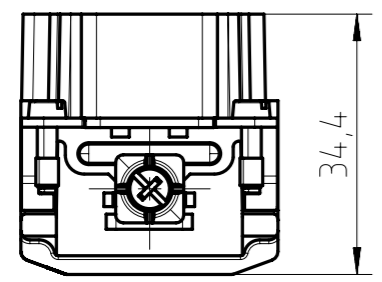
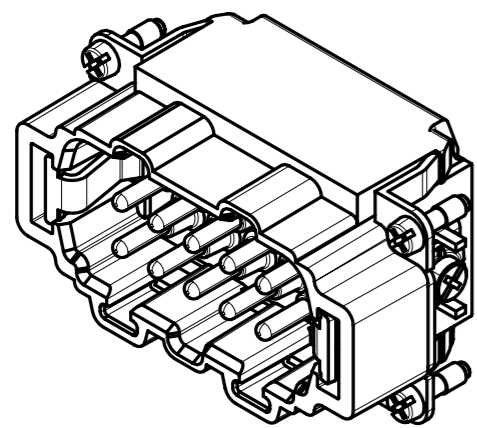
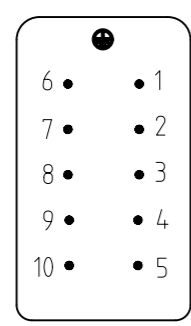


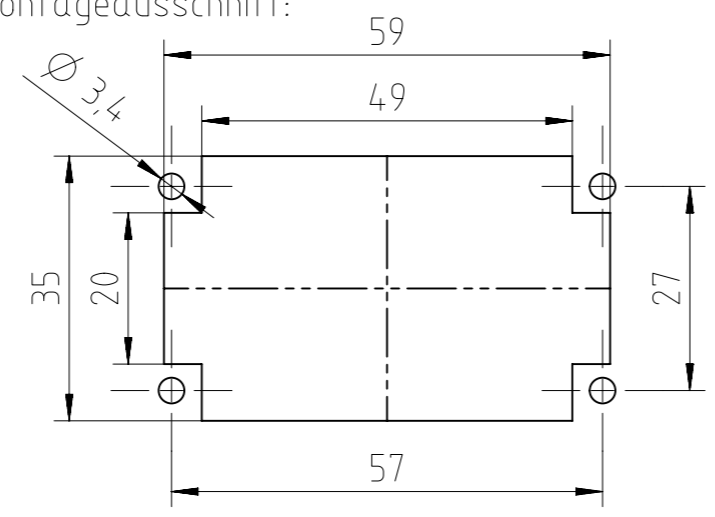
Copying of this document and giving it to others and the use
 or communication of the contents thereof, are forbidden with-
 out express authority. Offenders are liable to the payment of
 damages. All rights are reserved in the event of the grant of
 a patent or the registration of the utility model or design.



Polbild Anschlussseite



Montageausschnitt:



Alle technischen Daten wurden unter Laborbedingungen ermittelt und können im Praxisbetrieb abweichen.
 Es handelt sich bei den Angaben weder um Beschaffenheits- noch um Haltbarkeitsgarantien.
 All technical data have been measured in a laboratory environment and can be different during
 practical usage of the product. Any product information is for descriptive usage only and not legally binding;
 particularly the information does not constitute or provide any legal guarantees ("Beschaffenheitsgarantie" or
 "Haltbarkeitsgarantie").

Characteristics

General Characteristics	Standard	Value
note		Connectors may only be operated when there is no load / the power is switched off. Can be used for solid wires and stranded wires with ferrule.
number of poles		10+ \oplus
connection method		Push-in connection
conductor cross section		0,14 - 2,5 mm ² (AWG 26 - 14)
stripping length		8 - 10 mm
Electrical Characteristics	Standard	Value
pollution degree	IEC 60664-1	3
surge voltage category	IEC 60664-1	III
rated voltage (III/3)	IEC 60664-1	500 V
rated surge voltage	IEC 60664-1	6 kV
rated current	IEC 60664-1	16 A
Climatical Characteristics	Standard	Value
ambient temperature (operation)		-40°C - 125 °C (including heating up of contacts)
Mechanical Characteristics	Standard	Value
insertion/ withdrawal cycles	IEC 60512-9-1	≥ 500
Material data	Standard	Value
flammability	UL 94	V-0
contact material		copper alloy
contact surface material		Ag
contact carrier material		PA

Gewicht (errechnet) / Calc WT: g		Zul. Abw./ Tolerances:		Maßstab / Scale: 1:1		A3			
Prüfmaß / Testdimension				DIN / ISO 13715		CUSTOMER DRAWING			
Teileindex Partindexnumber									
		2014 Datum/Date		Name		Stifteinsatz 10+PE male insert 10+PE			
		Gez. 22.01.		Holley					
		Gepr.							
		Checked				Amphenol-Tuchel Electronics GmbH			
01 201300751		28.01.14		Holley					
Index		Änderung/Description		Datum/Date		Name		Ers. f. / Replacement for:	
								1 Bl.	

Weitergabe sowie Vervielfältigung dieser Unterlage, Verwertung
 und Mitteilung ihres Inhalts nicht gestattet, soweit nicht
 ausdrücklich zugestanden. Zuwiderhandlungen verpflichten
 zu Schadensersatz. Alle Rechte für den Fall der Patenterteilung
 oder Gebrauchsmuster-Eintragung vorbehalten.