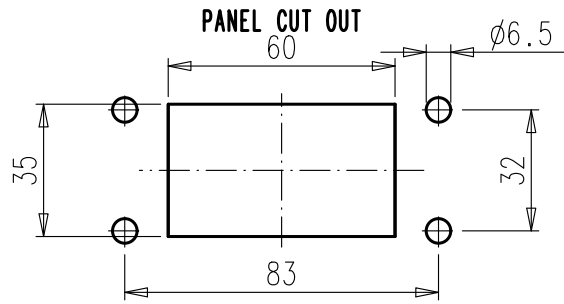
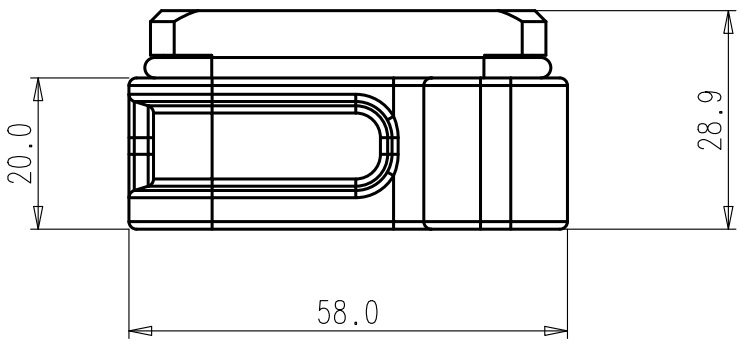
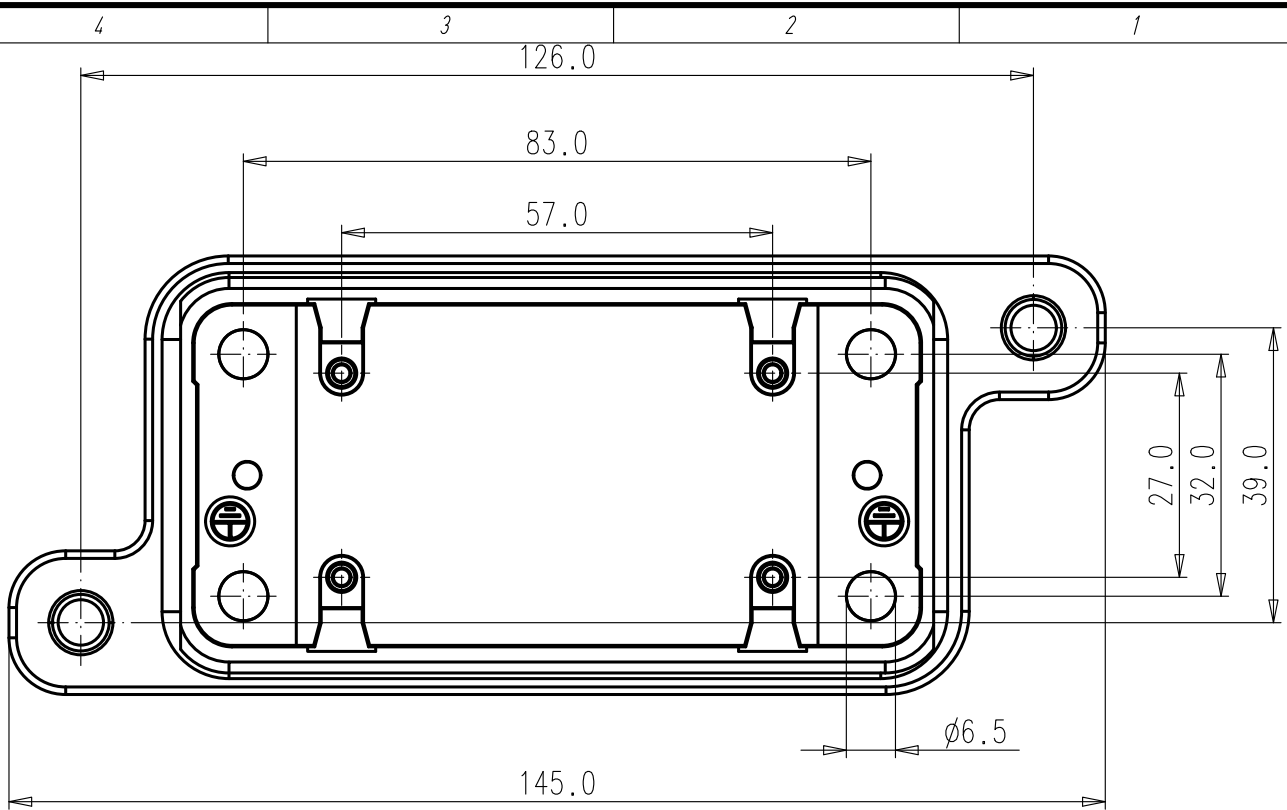


Copying of this document and giving it to others and the use or communication of the contents thereof, are forbidden without express authority. Offenders are liable to the payment of damages. All rights are reserved in the event of the grant of a patent or the registration of the utility model or design.

Weitergabe sowie Vervielfältigung dieser Unterlage, Verwertung und Mitteilung ihres Inhalts nicht gestattet, soweit nicht ausdrücklich zugestanden. Zuwiderhandlungen verpflichten zu Schadensersatz. Alle Rechte für den Fall der Patenterteilung oder Gebrauchsmuster-Eintragung vorbehalten.



All technical data have been measured in a laboratory environment and can be different during practical usage of the product. Any product information is for descriptive usage only and not legally binding; particularly the information does not constitute or provide any legal guaranties ("Beschaffheitsgarantie" or "Haltbarkeitsgarantie").  
 Remark for gold plated contacts:

Parts according to directive 2002/95/EG (RoHS)

Gewicht (errechnet)/ Calc WT: 158 9		Zul. Abw./Tolerances:		Maßstab/Scale 1:1		A4				
Prüfmaß/Testdimension						CUSTOMER DRAWING				
Teileindex Partindexnumber						HOUSING BULKHEAD MOUNTING				
		13 Datum/Date		Name		IP68, DESIGN SIZE 10				
		Gez. 27.05.		Aaron.Liu						
		Drawn								
		Gepr.								
		Checked								
						M		C146 68F010 001 1 U		Blatt/Sheet
01		201100639	27.05.13	AL	Amphenol-Tuchel Electronics GmbH					1
Index	Änderung/Description	Datum/Date	Name							1 BI.
					Ers. f./Similar to:					