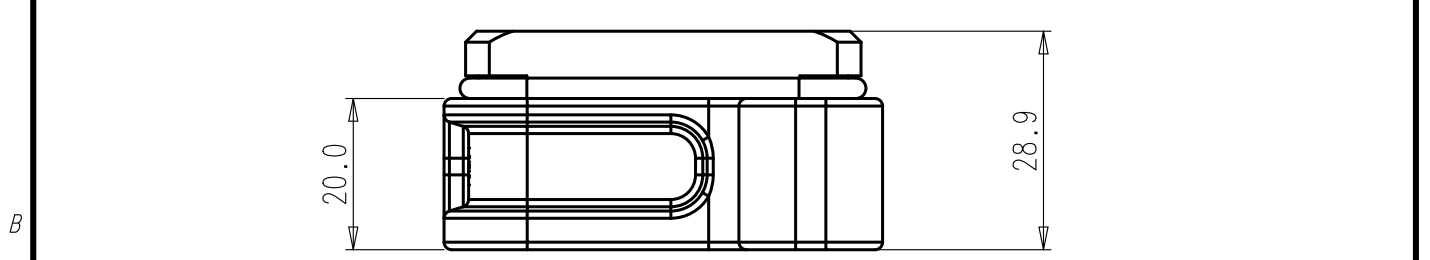
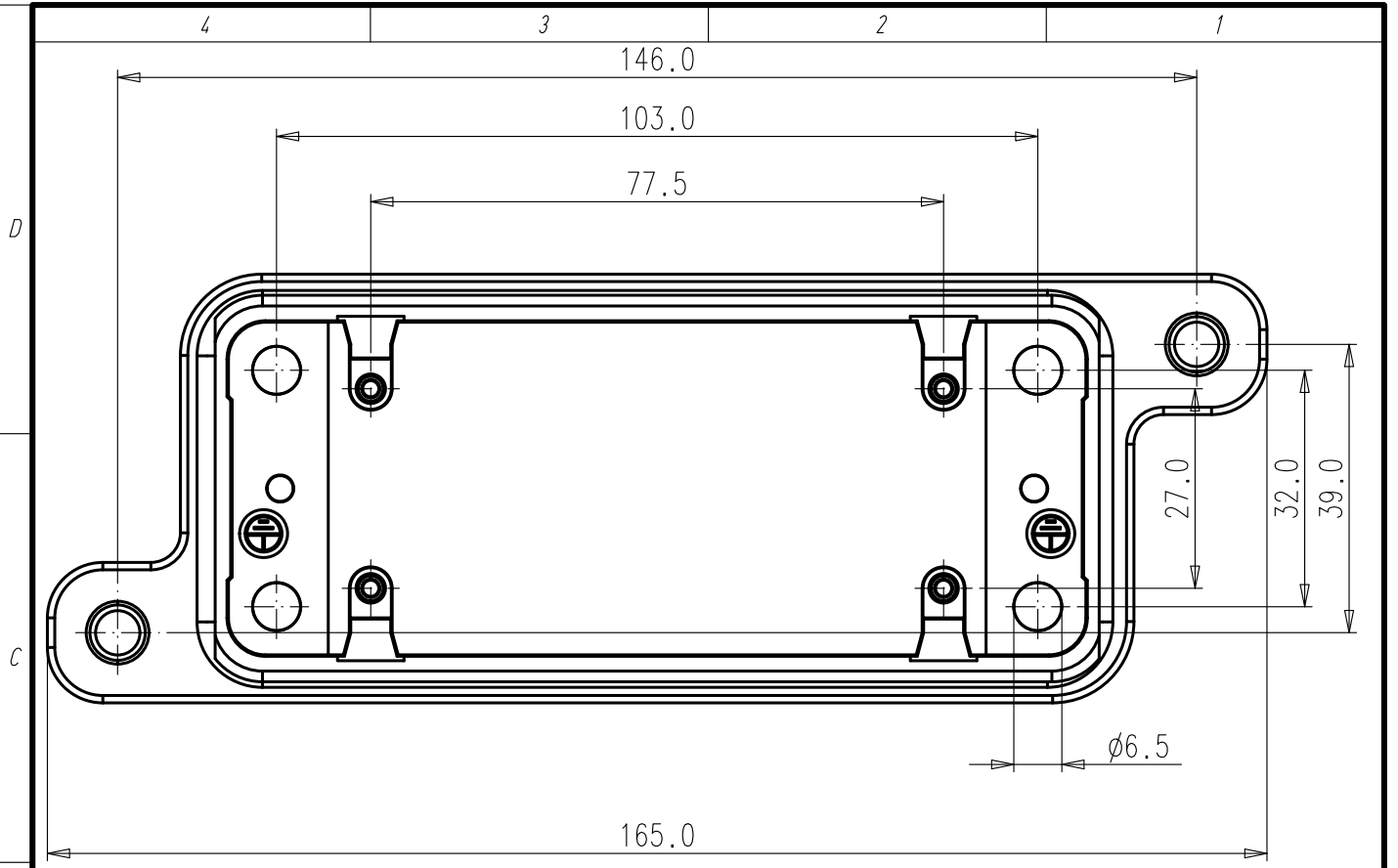
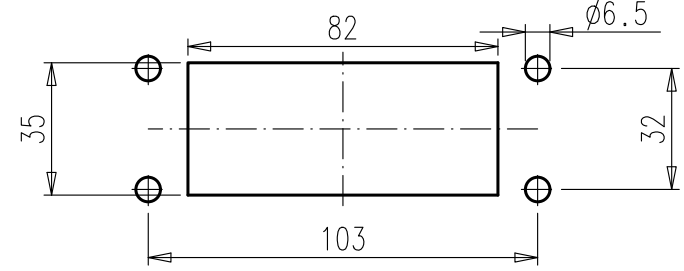


Copying of this document and giving it to others and the use or communication of the contents thereof, are forbidden without express authority. Offenders are liable to the payment of damages. All rights are reserved in the event of the grant of a patent or the registration of the utility model or design.

Weitergabe sowie Vervielfältigung dieser Unterlage, Verwertung und Mitteilung ihres Inhalts nicht gestattet, soweit nicht ausdrücklich zugestanden. Zuwiderhandlungen verpflichten zu Schadensersatz. Alle Rechte für den Fall der Patenterteilung oder Gebrauchsmuster-Eintragung vorbehalten.



PANEL CUT OUT



All technical data have been measured in a laboratory environment and can be different during practical usage of the product. Any product information is for descriptive usage only and not legally binding; particularly the information does not constitute or provide any legal guaranties ("Beschaffenheitsgarantie" or "Haltbarkeitsgarantie").

Parts according to directive 2002/95/EG (RoHS)

Gewicht (errechnet)/ Calc WT: 171 9		Zul. Abw./Tolerances:		Maßstab/Scale 1:1		A4				
Prüfmaß/Testdimension						CUSTOMER DRAWING HOUSING BULKHEAD MOUNTING IP68, DESIGN SIZE 16				
Teileindex Partindexnumber										
		13	Datum/Date	Name						
		Gez.	27.05.	Aaron.Liu						
		Drawn								
		Gepr.								
		Checked								
		Amphenol-Tuchel Electronics GmbH				M	C146 68F016 001 1 U		Blatt/Sheet 1 1 Bl.	
01	201100639	27.05.13	AL			Ers. f./Similar to:				
Index	Änderung/Description		Datum/Date	Name						