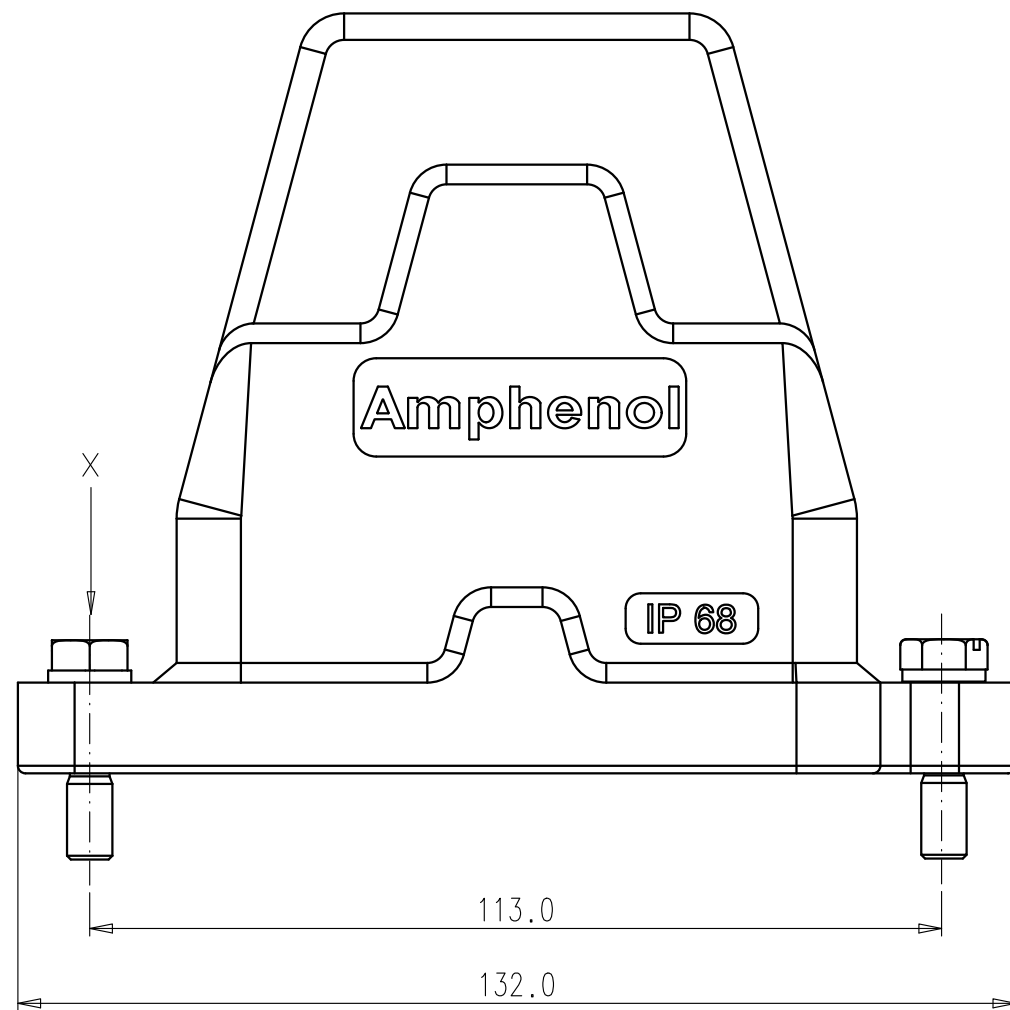
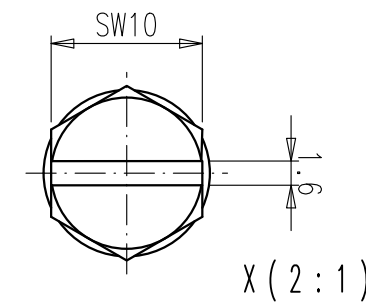
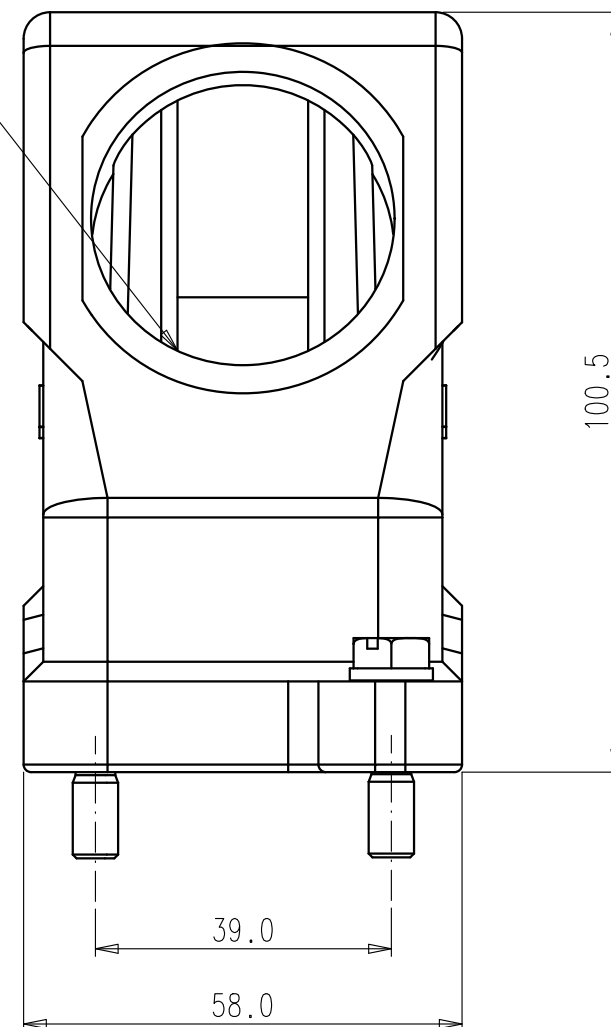


Copying of this document and giving it to others and the use or communication of the contents thereof, are forbidden without express authority. Offenders are liable to the payment of damages. All rights are reserved in the event of the grant of a patent or the registration of the utility model or design.



M32x1.5 thread



All technical data have been measured in a laboratory environment and can be different during practical usage of the product. Any product information is for descriptive usage only and not legally binding; particularly the information does not constitute or provide any legal guarantees ("Beschaffensgarantie" or "Haltbarkeitsgarantie").

Parts according to directive 2002/95/EG (RoHS)

Gewicht (errechnet) / Calc WT: 9		Zul. Abw. / Tolerances:		Maßstab / Scale 1:1	A3		
Prüfmaß / Testdimension		DIN 6784		CUSTOMER DRAWING			
Teileindex Part index number		13	Datum / Date	Name	HOOD		
		Gez.	16.10.	Aaron.Liu	IP68, DESIGN SIZE 6		
		Drawn					
		Gepr.					
		Checked					
		Amphenol-Tuchel Electronics GmbH			M	C146 68R006 500 8 U	Blatt / Sheet 1
01	201100639	16.10.13	AL			1 Bl.	
Index	Änderung / Description	Datum / Date	Name	Ers. f. / Similar to:			