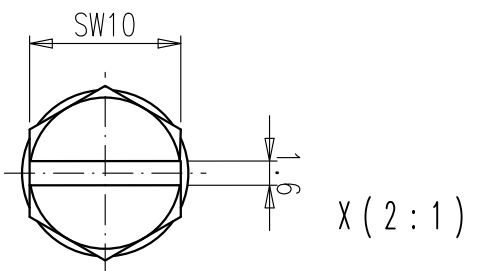
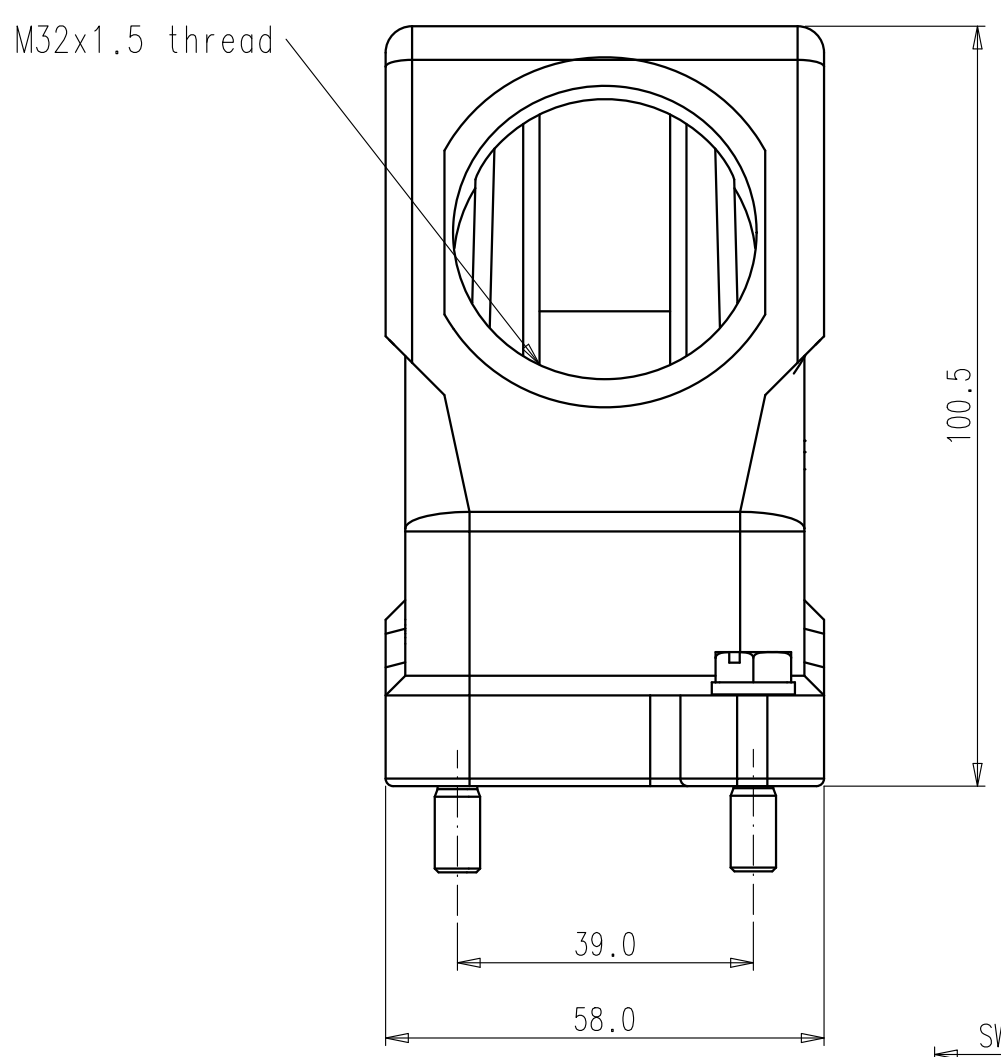
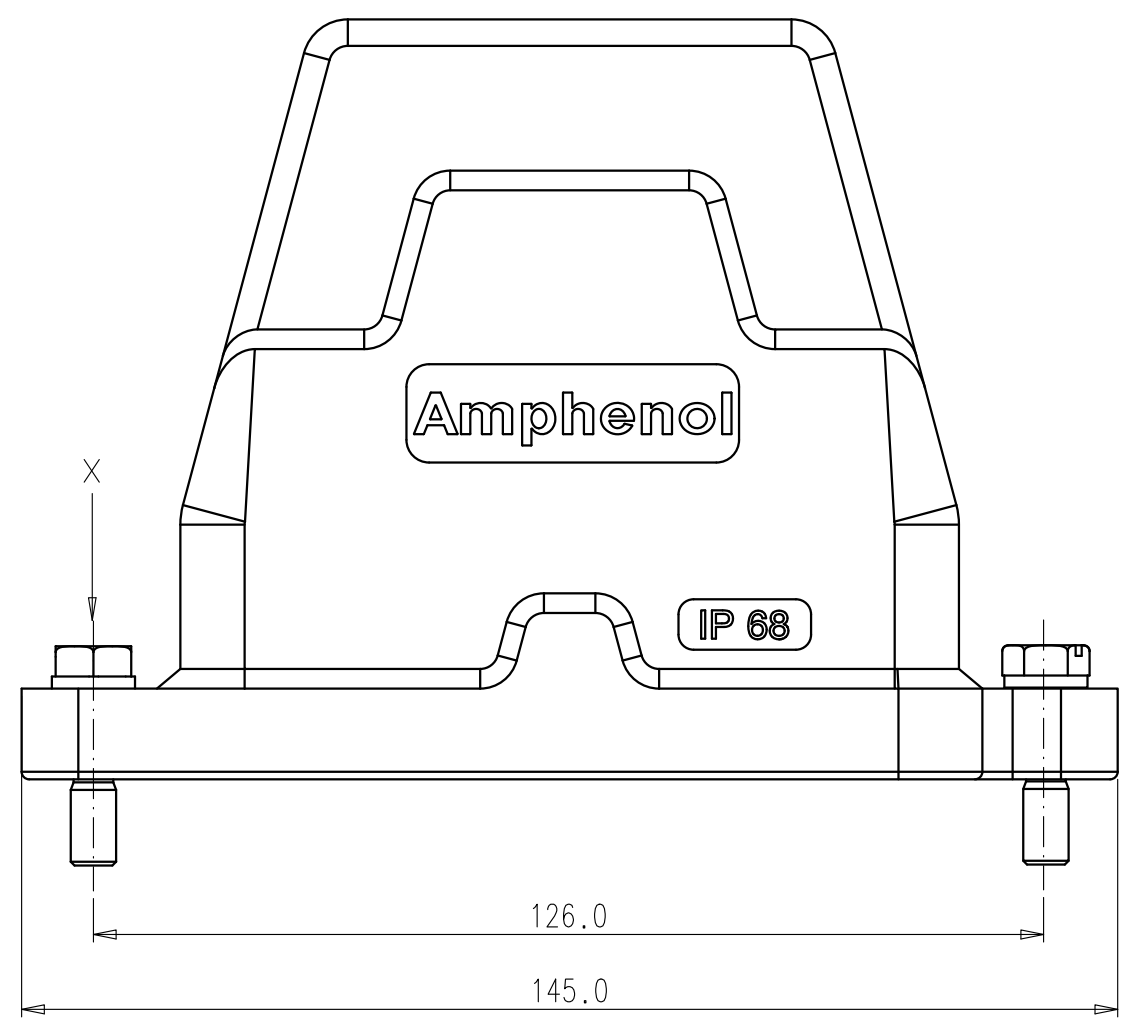


Copying of this document and giving it to others and the use or communication of the contents thereof, are forbidden without express authority. Offenders are liable to the payment of damages. All rights are reserved in the event of the grant of a patent or the registration of the utility model or design.



All technical data have been measured in a laboratory environment and can be different during practical usage of the product. Any product information is for descriptive usage only and not legally binding; particularly the information does not constitute or provide any legal guarantees ("Beschaffensgarantie" or "Haltbarkeitsgarantie").

Parts according to directive 2002/95/EG (RoHS)

Gewicht (errechnet) / Calc WT: 9		Zul. Abw. / Tolerances:		Maßstab / Scale 1:1		A3				
Prüfmaß / Testdimension Teileindex Part index number				CUSTOMER DRAWING						
		13 Datum / Date		Name		HOOD				
		Gez. 16.10.		Aaron.Liu		IP68, DESIGN SIZE 10				
		Drawn								
		Gepr.								
		Checked								
						Amphenol-Tuchel		M C146 68R010 500 8 U		Blatt / Sheet
01		201100639		16.10.13 AL		Electronics GmbH				1
Index		Änderung / Description		Datum / Date		Name		Ers. f. / Similar to:		1 Bl.