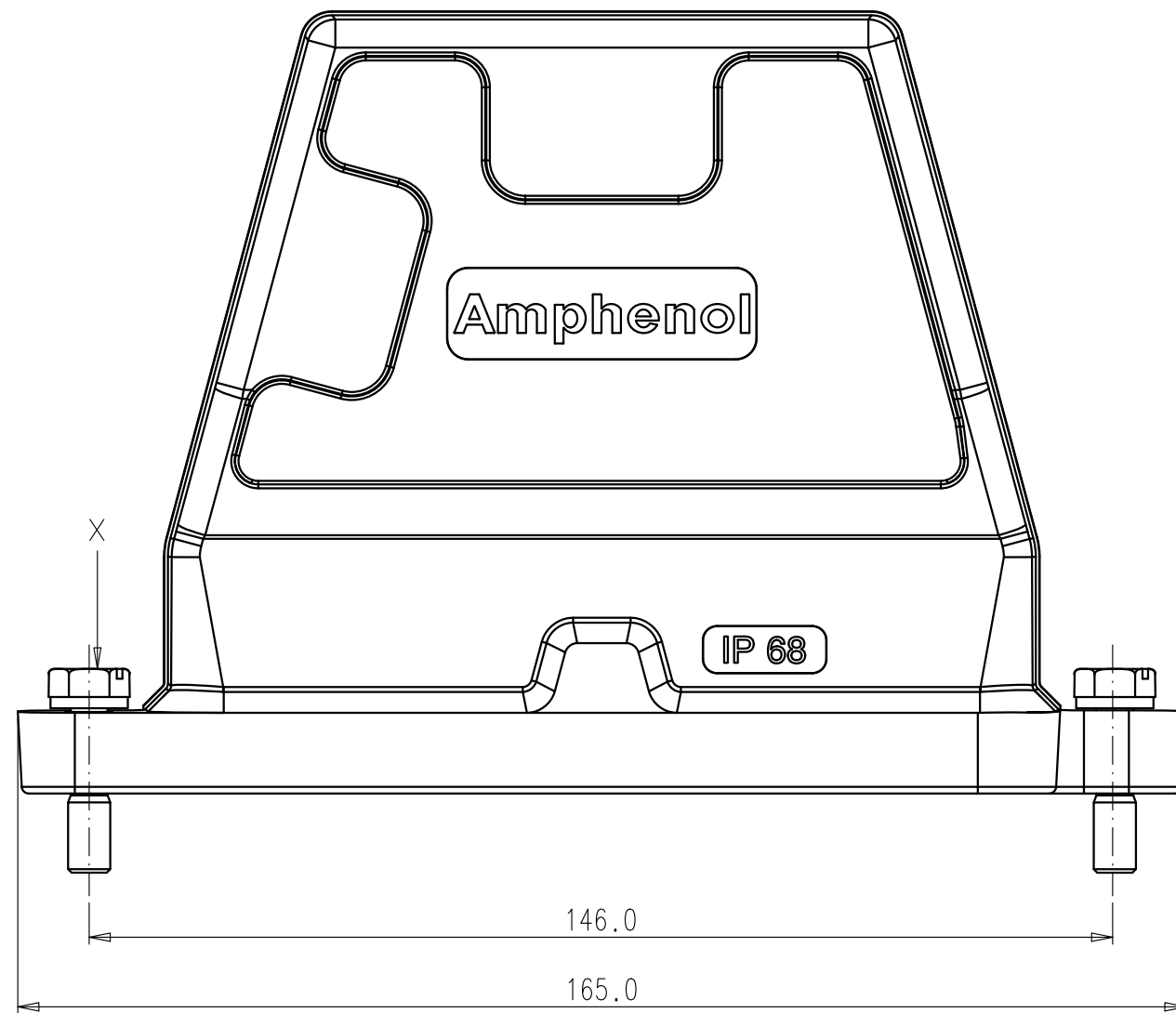
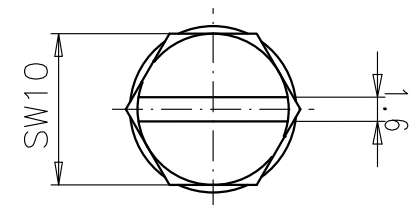
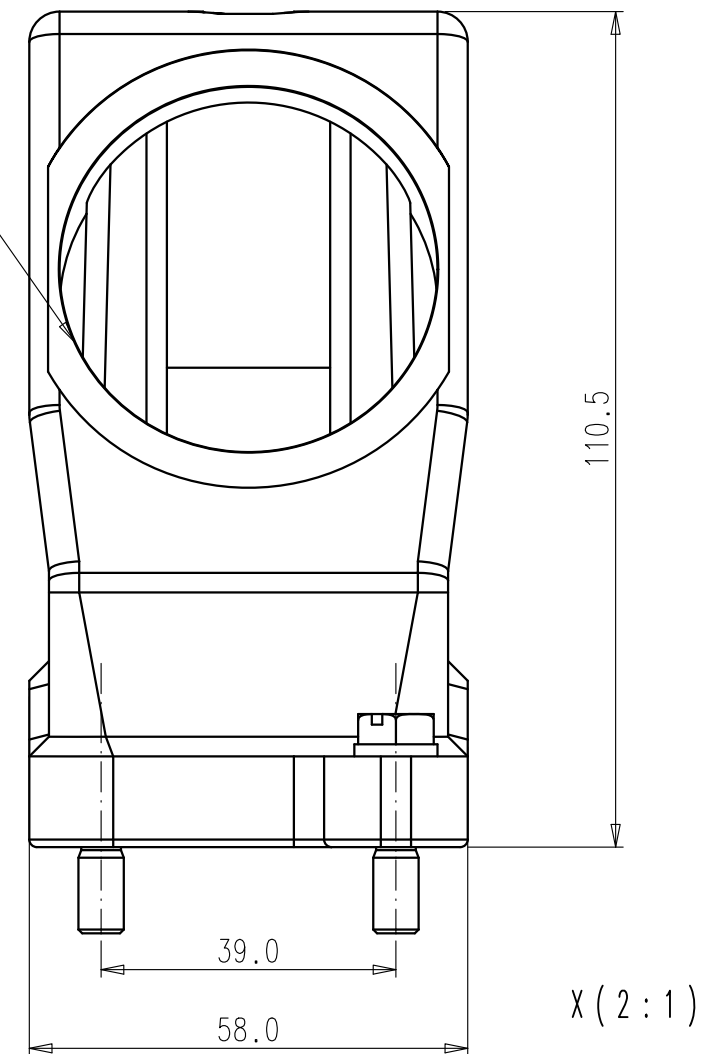


Copying of this document and giving it to others and the use or communication of the contents thereof, are forbidden without express authority. Offenders are liable to the payment of damages. All rights are reserved in the event of the grant of a patent or the registration of the utility model or design.

Weitergabe sowie Vervielfältigung dieser Unterlage, Verwertung und Mitteilung ihres Inhalts nicht gestattet, soweit nicht ausdrücklich zugestanden. Zuwiderhandlungen verpflichten zu Schadenersatz. Alle Rechte für den Fall der Patenterteilung oder Gebrauchsmuster-Eintragung vorbehalten.



M40x1.5 thread



All technical data have been measured in a laboratory environment and can be different during practical usage of the product. Any product information is for descriptive usage only and not legally binding; particularly the information does not constitute or provide any legal guarantees ("Beschaffensgarantie" or "Haltbarkeitsgarantie").

Parts according to directive 2002/95/EG (RoHS)

Gewicht (errechnet)/ Calc WT: 9		Zul. Abw./Tolerances:		Maßstab/Scale 1:1		A3	
Prüfmaß/Testdimension		DIN 6784		CUSTOMER DRAWING			
Teileindex Part index number		13 Datum/Date Name		HOOD IP68, DESIGN SIZE 16			
		Gez. 16.10. Aaron.Liu					
		Drawn					
		Gepr.					
		Checked					
		Amphenol-Tuchel Electronics GmbH		M		C146 68R016 501 8 U	
01 201100639 16.10.13 AL		Ers. f./Similar to:		Blatt/Sheet 1		1 Bl.	
Index Änderun./Description Datum/Date Name							