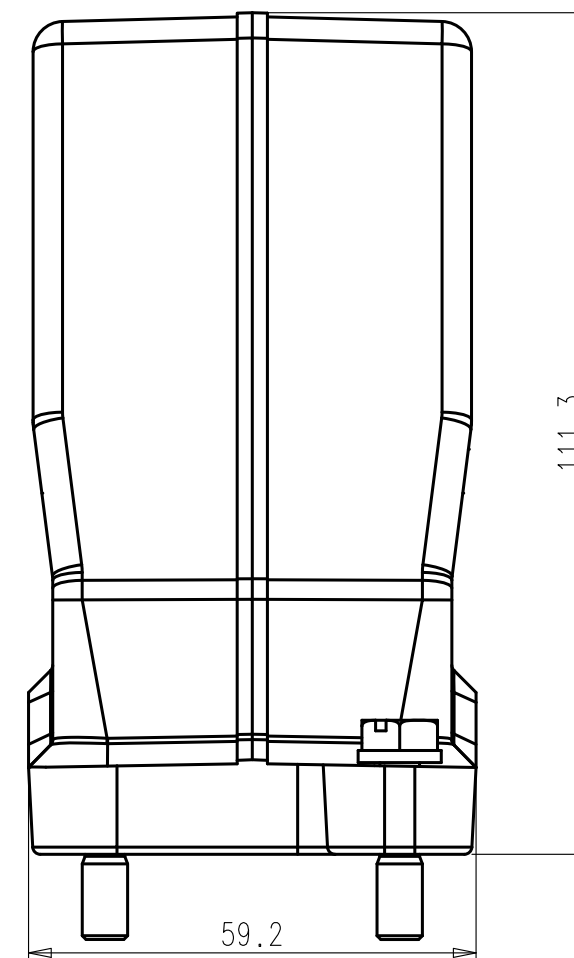
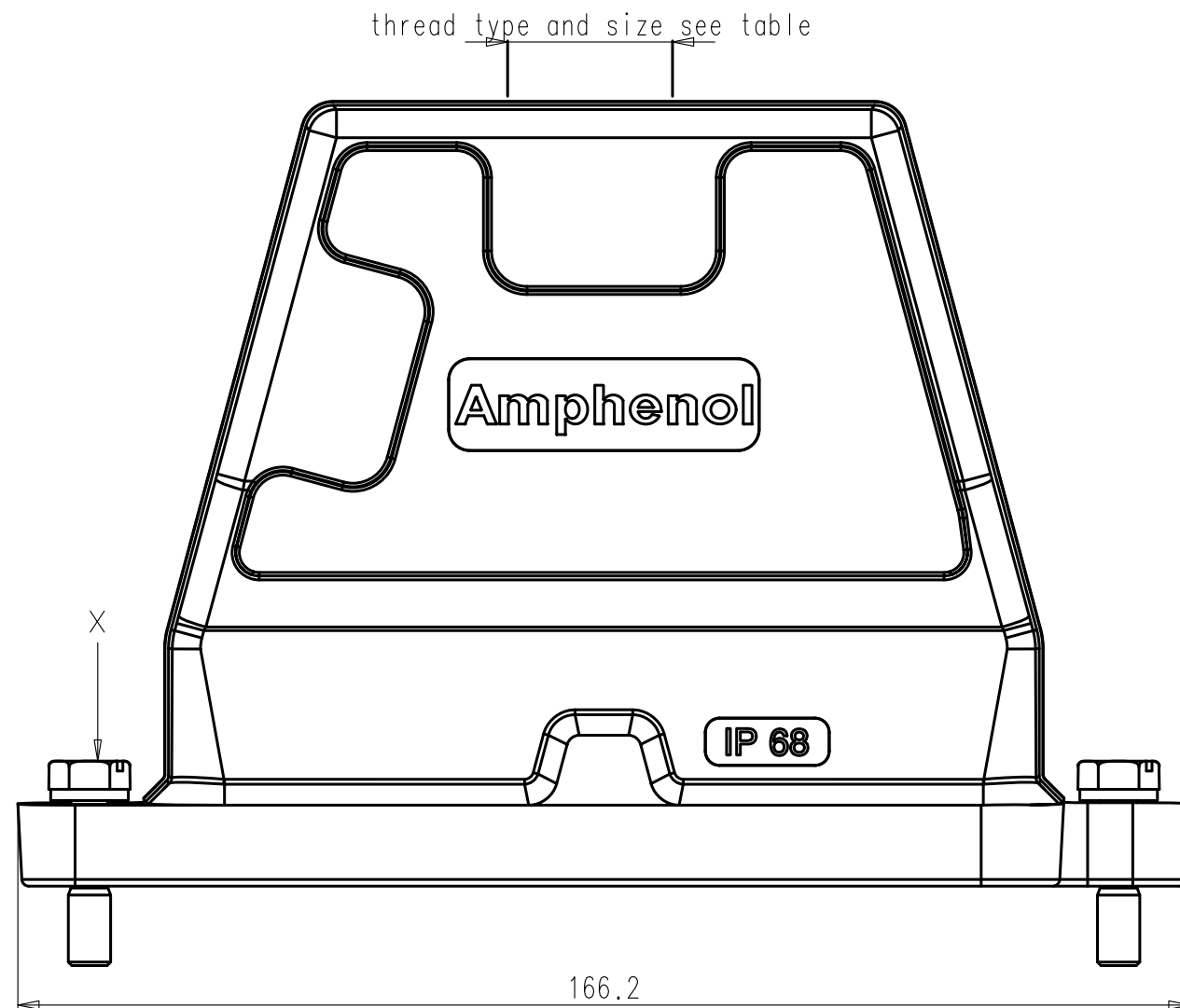


Copying of this document and giving it to others and the use or communication of the contents thereof, are forbidden without express authority. Offenders are liable to the payment of damages. All rights are reserved in the event of the grant of a patent or the registration of the utility model or design.



C146 68X0XX XXX 8 U

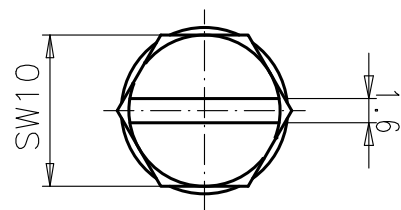
Thread type:  
R- metric thread  
G- PG thread

Size:  
03- for insert A series 3 pole  
06- for insert E series 6 pole  
10- for insert E series 10 pole  
16- for insert E series 16 pole  
24- for insert E series 24 pole

Location cable entry:  
5- side entry  
6- top entry  
9- special (multiple)

Cable entry size:  
50- M25  
00- M32 / PG21  
01- M40 / PG29

X (2:1)



C146 68G016 601 8 U	PG29	596g
C146 68G016 600 8 U	PG21	604g
C146 68R016 601 8 U	M40	573g
C146 68R016 600 8 U	M32	591g
C146 68R016 650 8 U	M25	605g
TYPE-NO.	THREAD	WEIGHT

All technical data have been measured in a laboratory environment and can be different during practical usage of the product. Any product information is for descriptive usage only and not legally binding; particularly the information does not constitute or provide any legal guaranties ("Beschaffenheitsgarantie" or "Haltbarkeitsgarantie").

Remark for gold plated contacts:

In order to avoid brittle inter-metallic connections, gold-plated terminals have to be tin-plated in the solder area.  
Parts according to directive 2002/95/EG (RoHS)

Gewicht (errechnet) / Calc WT: 9		Zul. Abw. / Tolerances:		Maßstab / Scale 1:1		A3	
Prüfmaß / Testdimension		DIN 6784		CUSTOMER DRAWING			
Teileindex Partindexnumber		12 Datum/Date Name		16 POLE HOOD IP68			
		Gez. 17.08. Aaron.Liu					
		Drawn					
		Gepr.					
		Checked					
		Amphenol-Tuchel Electronics GmbH		M		C146 68X016 XXX 8 U	
01 201100639 17.08.12 AL				Ers. f./Similar to:		Blatt / Sheet 1 1 Bl.	
Index Änderun./Description Datum/Date Name							