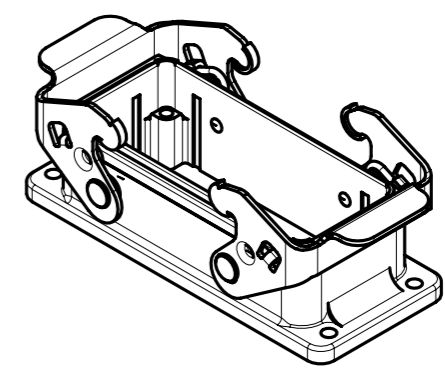
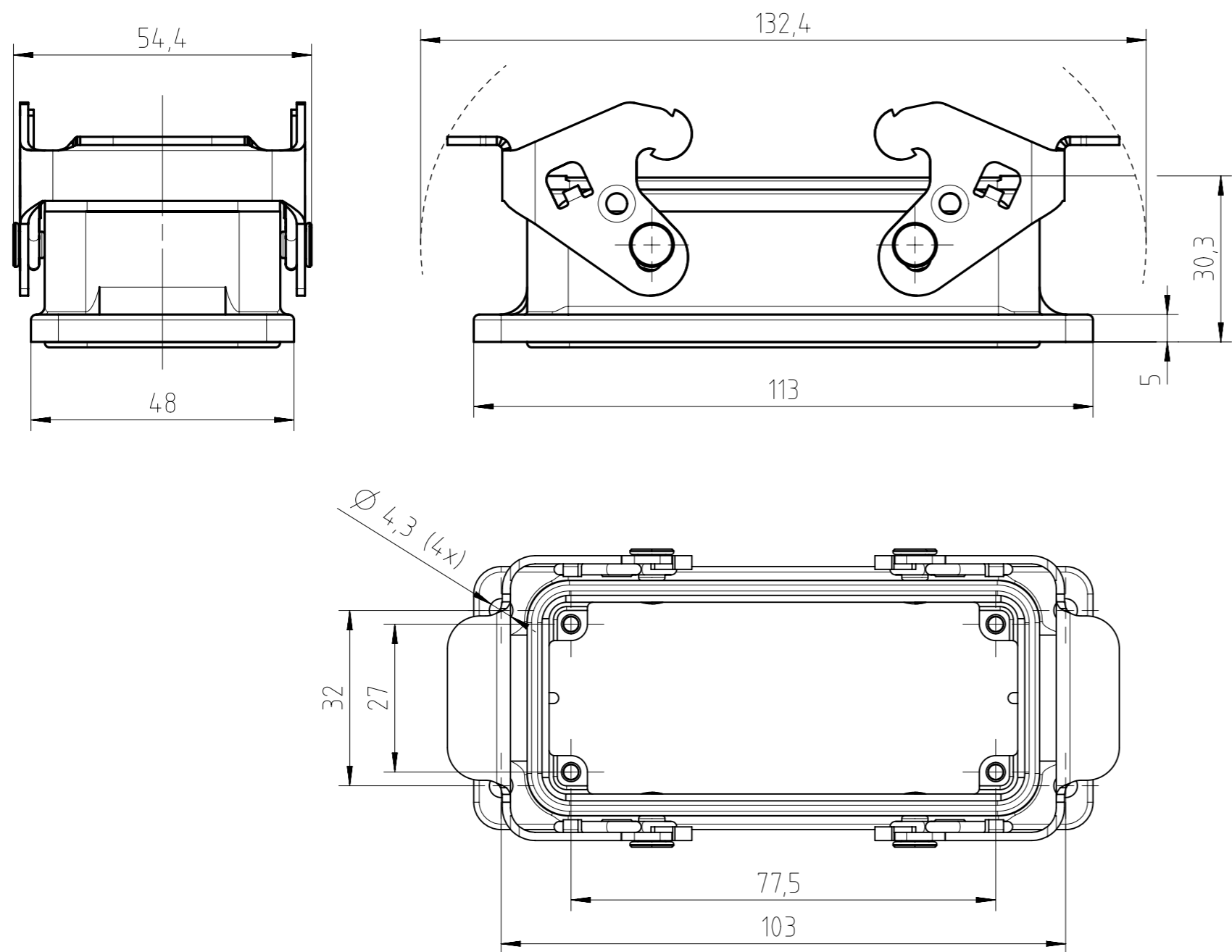


Copying of this document and giving it to others and the use or communication of the contents thereof, are forbidden without express authority. Offenders are liable to the payment of damages. All rights are reserved in the event of the grant of a patent or the registration of the utility model or design.

Weitergabe sowie Vervielfältigung dieser Unterlage, Verwertung und Mitteilung ihres Inhalts nicht gestattet, soweit nicht ausdrücklich zugestanden. Zuwiderhandlungen verpflichten zu Schadensersatz. Alle Rechte für den Fall der Patenterteilung oder Gebrauchsmuster-Eintragung vorbehalten.



| General Characteristics | Standard | Value |
|---|---------------------------------|------------------|
| Type | | Bulkhead Housing |
| Protection class | IEC 60529 | IP67 |
| Locking System | DIN EN 175 301-801 (DIN 43 652) | 2 locking levers |
| Amount x size of cable entries & position | | - |

| Climatical Characteristics | Standard | Value |
|----------------------------|-----------------|----------------|
| Climatic category | IEC 60068-1 | 40 / 100 / 21 |
| Temperature range | IEC 60068-1 | -40°C / +100°C |
| Upper temperature | IEC 60512-11-9 | +100°C |
| Lower temperature | IEC 60512-11-10 | -40°C |

| Mechanical Characteristics | Standard | Value |
|----------------------------|---------------|--------------------|
| Mechanical operation | IEC 60512-9-1 | ≥500 mating cycles |

| | | |
|----------------------|----------------------------------|--|
| Material of housing | Aluminium die cast alloy | |
| Material of sealings | CR | |
| Surface of housing | powder coated | |
| Color of housing | based on powder coating RAL 9006 | |

| | | | | | | | | | |
|--|--|--|--|----------------------------|--|--|--|-------|--|
| Gewicht (errechnet) / Calc WT: 0,18 kg | | Zul. Abw./Tolerances: | | Maßstab / Scale: 1:1 (1:2) | | A3 | | | |
| Prüfmaß / Testdimension | | ISO 2768-m | | DIN / ISO 13715 | | CUSTOMER DRAWING Anbaugehäuse E16 housing bulkhead mounting E16 | | | |
| Teileindex / Partindexnumber: | | | | | | | | | |
| Bagatelle change: | | | | | | | | | |
| | | Gez. / Drawn: 26.10.2017 PWOELFFLE | | | | | | | |
| | | Status: Released | | | | | | | |
| | | Gepr. / Checked: 08.11.2017 MGRIMM | | | | | | | |
| | | Amphenol Tuchel Industrial GmbH | | M C146 67F016 000 8 | | Blatt / Sheet 1 | | 1 Bl. | |
| 04 201700450 07.11.2017 PWOLF | | | | | | | | | |
| Index Änderung / Description | | Datum / Date | | Name | | Ers. f. / Replacement for: M-C146 67F0XX XXX 8 SA/TA | | | |

Alle technischen Daten wurden unter Laborbedingungen ermittelt und können im Praxisbetrieb abweichen. Es handelt sich bei den Angaben weder um Beschaffenheits- noch um Haltbarkeitsgarantien. All technical data have been measured in a laboratory environment and can be different during practical usage of the product. Any product information is for descriptive usage only and not legally binding; particularly the information does not constitute or provide any legal guarantees ("Beschaffenheitsgarantie" or "Haltbarkeitsgarantie").