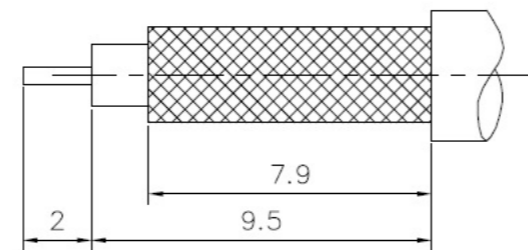
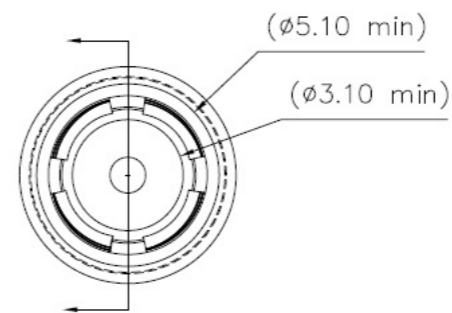
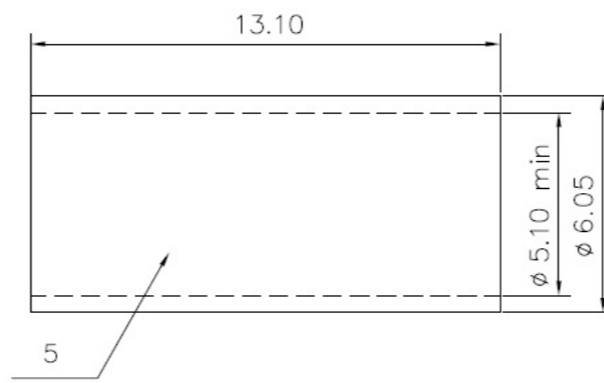
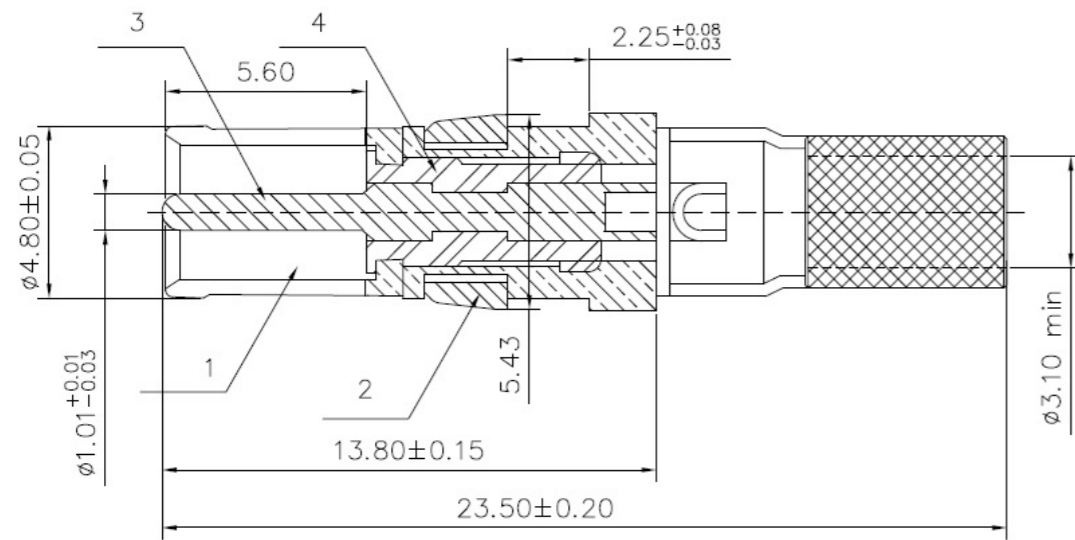


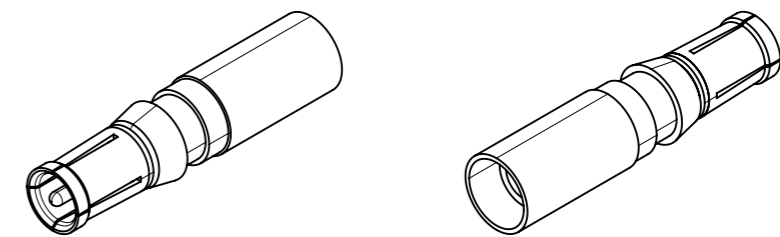
Copying of this document and giving it to others and the use or communication of the contents thereof, are forbidden without express authority. Offenders are liable to the payment of damages. All rights are reserved in the event of the grant of a patent or the registration of the utility model or design.



| Pos. | Qty. | part name |
|------|------|------------|
| 1 | 1 | outer body |
| 2 | 1 | clip ring |
| 3 | 1 | center pin |
| 4 | 1 | insulator |
| 5 | 1 | ferrule |

Characteristics

| General Characteristics | Standard | Value |
|--|-----------------|------------------------------|
| termination technique | | crimp |
| wire gauge | | RG 58 |
| Electrical Characteristics | Standard | Value |
| rated voltage | IEC 60664-1 | 250 V Rms to 50 Hz |
| rated current $T_{amb} = 40\text{ °C}$ | | 0,5 A |
| impedance | IEC 60512-25-7 | 50 Ω nominal |
| frequency range | | 0 - 2 GHz |
| insulation resistance | IEC 60512-3-1 | $\geq 5 \times 10^9\ \Omega$ |
| Climatical Characteristics | Standard | Value |
| climatic category | IEC 60068-1 | -55 / 125 / 10 |
| upper temperature | IEC 60512-11-9 | +125 °C |
| lower temperature | IEC 60512-11-10 | -55 °C |
| Mechanical Characteristics | Standard | Value |
| mechanical operation | IEC 60512-9-1 | ≥ 500 mating cycles |
| Materials | Standard | Value |
| outer body | | brass, Au over Ni |
| clip ring | | thermoplast, black |
| center pin | | bronze, Au over Ni |
| insulator | | PTFE, white |
| ferrule | | brass, Au over Ni |



Alle technischen Daten wurden unter Laborbedingungen ermittelt und können im Praxisbetrieb abweichen. Es handelt sich bei den Angaben weder um Beschaffenheits- noch um Haltbarkeitsgarantien.
 All technical data have been measured in a laboratory environment and can be different during practical usage of the product. Any product information is for descriptive usage only and not legally binding, particularly the information does not constitute or provide any legal guarantees ("Beschaffenheitsgarantie" or "Haltbarkeitsgarantie").

| | | | | | |
|---|------------------------|--|--|---|--|
| Gewicht (errechnet) / Calc WT: 0,002 kg | | Zul. Abw./Tolerances: | Maßstab / Scale: 5:1 (2:1) | A3 | |
| Prüfmaß / Testdimension | | ISO 2768-m | CUSTOMER DRAWING | | |
| Teileindex / Partindexnumber: | | | | | |
| Bagatelle change: | | Gez. 21.06.2017 | Buchsenkontakt KOAX socket contact KOAX | | |
| | | Drawn PWOELFFLE | | | |
| | | Status Released | | | |
| | | Gepr. 21.06.2017 | | | |
| | | Checked MGRIMM | M L 17 DM 537 425 | | |
| | | | | | |
| | | Amphenol Tuchel Industrial GmbH | Blatt / Sheet 1 | | |
| 01 | 201700237 | 21.06.2017 | PWOLF | 1 Bl. | |
| Index | Änderung / Description | Datum / Date | Name | Ers. f. / Replacement for: M-17 DM 537 425 Rev.01 | |

Weitergabe sowie Vervielfältigung dieser Unterlage, Verwertung und Mitteilung ihres Inhalts nicht gestattet, soweit nicht ausdrücklich zugestanden. Zuwiderhandlungen verpflichten zu Schadenersatz. Alle Rechte für den Fall der Patenterteilung oder Gebrauchsmuster-Eintragung vorbehalten.