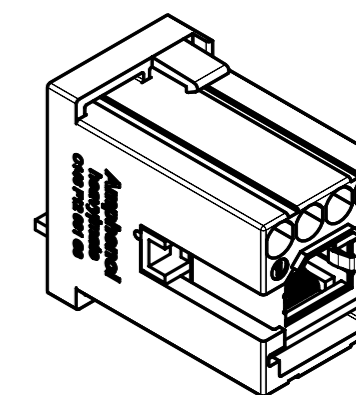
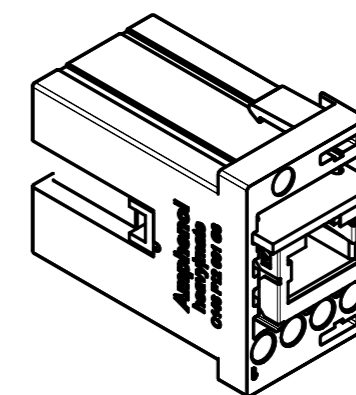
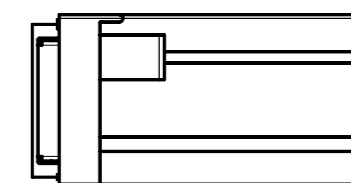
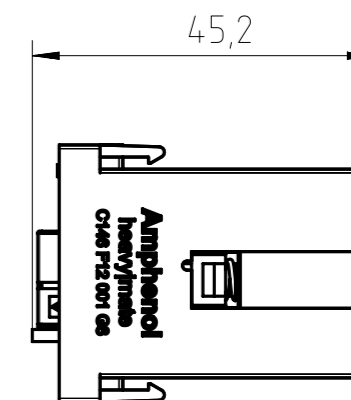
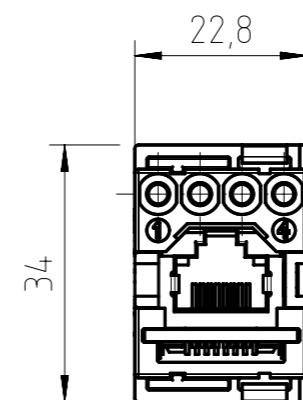


Characteristics

General Characteristics	Standard	Value	
number of contacts		4	RJ45
termination technique		crimp	1x RJ45
wire gauge		0,14 mm ² - 2,5 mm ² AWG 26 - AWG 14	-
max. insulation diameter		3,7 mm	-
flammability	UL 94	V-0	
Electrical Characteristics	Standard	Value	
rated voltage	IEC 60664-1	250 V	125 V
pollution degree	IEC 60664-1	3	
installation (overvoltage) category	IEC 60664-1	3	
material group	IEC 60664-1	II	
rated impulse withstand voltage	IEC 60664-1	6 kV	1,8 kV
rated current T _{amb} = 40 °C		13 A	1,5 A
contact resistance	IEC 60512-2-1	≤ 5 mΩ	≤ 20 mΩ
insulation resistance	IEC 60512-3-1	≥ 10 ¹⁰ Ω	≥ 5 ⁸ Ω
connector category	IEC 11801 / ANIS/TIA/EIA-568-C.2	-	Cat. 5e
Climatical Characteristics	Standard	Value	
climatic category	IEC 60068-1	40 / 125 / 10	40 / 80 / 10
upper temperature	IEC 60512-11-9	+125 °C	+80 °C
lower temperature	IEC 60512-11-10	-40 °C	-40 °C
Mechanical Characteristics	Standard	Value	
mechanical operation	IEC 60512-9-1	≥500 mating cycles	
Materials	Standard	Value	
insert		PA-GF	PCB
contacts		CuZn (brass)	-
contact plating		Ag (silver)/Au (gold)	Au (gold)
color		black	-



Gewicht (errechnet) / Calc WT: 26 g		Zul. Abw./Tolerances:		Maßstab / Scale: 1:1		A3	
Prüfmaß / Testdimension		ISO 2768-m		DIN / ISO 13715		CUSTOMER DRAWING	
Teileindex / Partindexnumber:		Gez. 09.10.2017		Status Released		Buchsenmodul 4-Pol + RJ45	
Bagatelle change: 12.10.2017 MBERTSCH		Drawn PWOLFFLE		Gepr. 11.10.2017		socket module 4 pole + RJ45	
		Checked MGRIMM		Amphenol Tuchel Industrial GmbH		Blatt / Sheet 1	
02 201700401		11.10.2017 PWOLF		M C146 F12 001 G8		1 Bl.	
Index Änderung / Description		Datum / Date		Name		Ers. f. / Replacement for: M-C146 F12 001 G8 Rev.01	

Alle technischen Daten wurden unter Laborbedingungen ermittelt und können im Praxisbetrieb abweichen.
Es handelt sich bei den Angaben weder um Beschaffenheits- noch um Haltbarkeitsgarantien.
All technical data have been measured in a laboratory environment and can be different during practical usage of the product. Any product information is for descriptive usage only and not legally binding; particularly the information does not constitute or provide any legal guarantees ("Beschaffenheitsgarantie" or "Haltbarkeitsgarantie").

Copying of this document and giving it to others and the use or communication of the contents thereof, are forbidden without express authority. Offenders are liable to the payment of damages. All rights are reserved in the event of the grant of a patent or the registration of the utility model or design.

Weitergabe sowie Vervielfältigung dieser Unterlage, Verwertung und Mitteilung ihres Inhalts nicht gestattet, soweit nicht ausdrücklich zugestanden. Zuwiderhandlungen verpflichten zu Schadenersatz. Alle Rechte für den Fall der Patenterteilung oder Gebrauchsmuster-Eintragung vorbehalten.

FAI2017-001503
NXM-V03