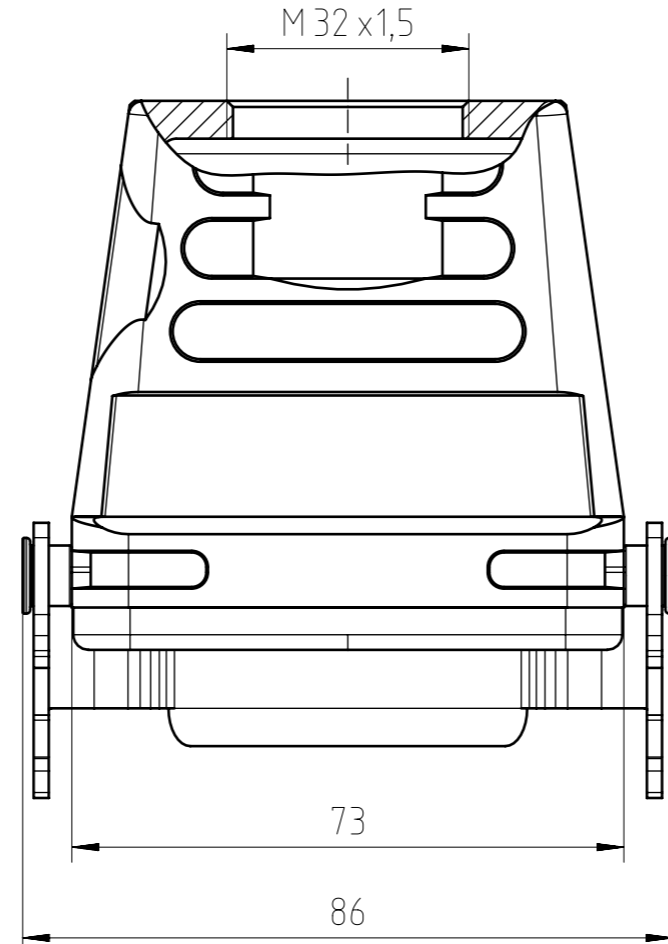
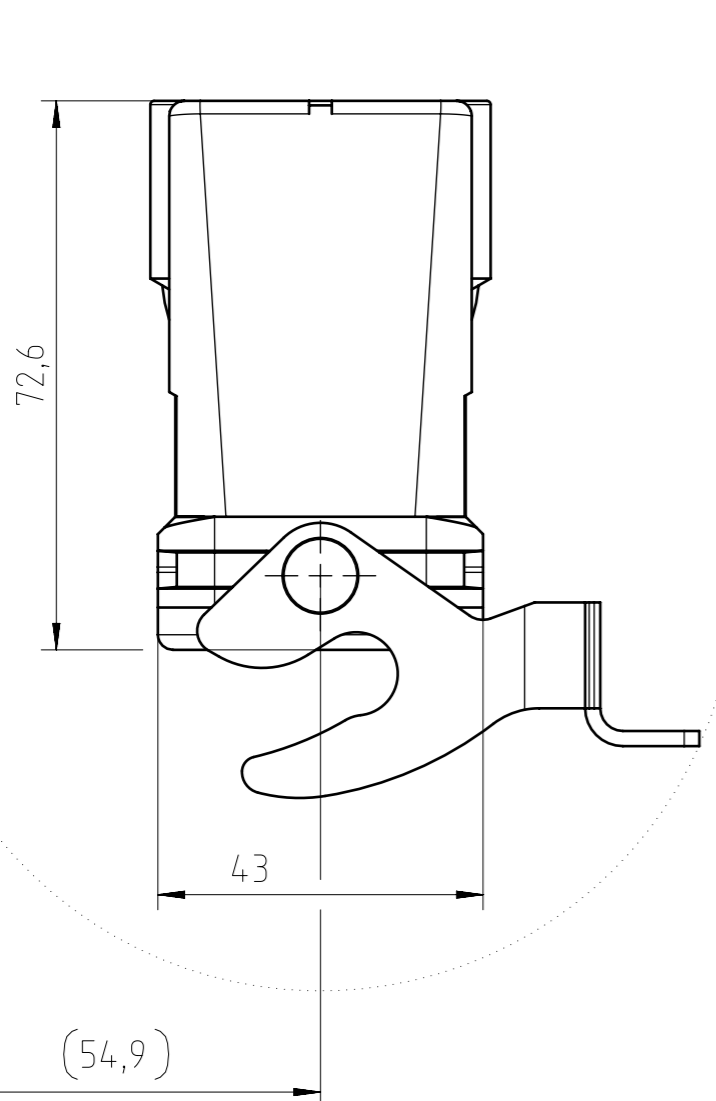
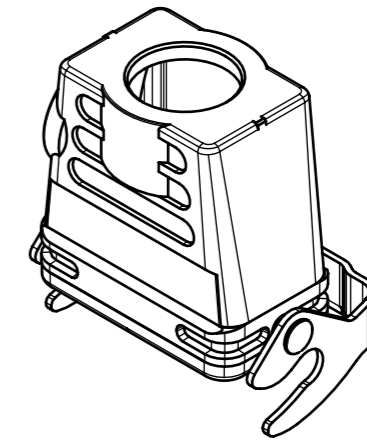
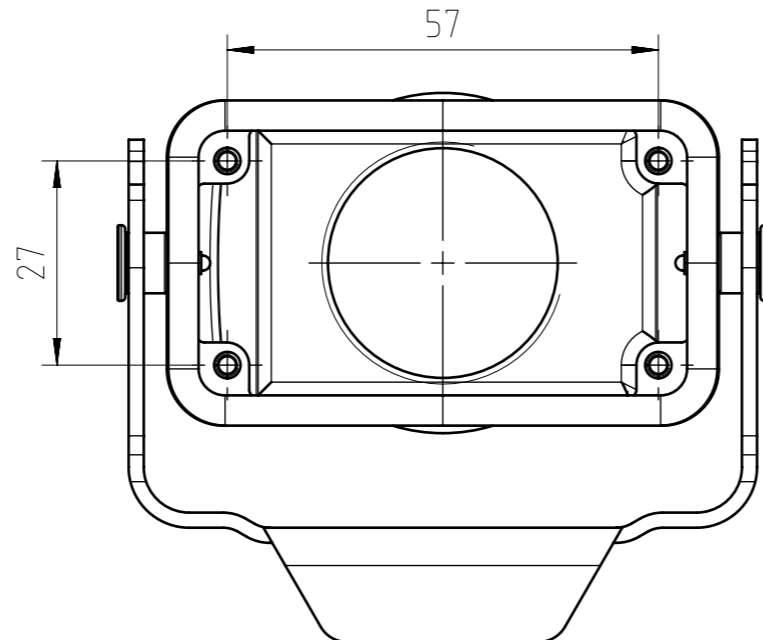


Copying of this document and giving it to others and the use or communication of the contents thereof, are forbidden without express authority. Offenders are liable to the payment of damages. All rights are reserved in the event of the grant of a patent or the registration of the utility model or design.

 Weitergabe sowie Vervielfältigung dieser Unterlage, Verwertung und Mitteilung ihres Inhalts nicht gestattet, soweit nicht ausdrücklich zugestanden. Zuwiderhandlungen verpflichten zu Schadensersatz. Alle Rechte für den Fall der Patenterteilung oder Gebrauchsmuster-Eintragung vorbehalten.



| General Characteristics | Standard | Value |
|-----------------------------------|---------------------------------|--------------------|
| Type | | coupling hood |
| Protection class | IEC 60529 | IP65 & IP66 |
| Locking system | DIN EN 175 301-801 (DIN 43 652) | 1 locking lever |
| Cable entry & position | | M32 top |
| Climatical Characteristics | Standard | Value |
| Operating temperature | IEC 60068-1 | -40°C - +100°C |
| Mechanical Characteristics | Standard | Value |
| Mechanical operation | IEC 60512-9-1 | ≥500 mating cycles |
| Materials | | Value |
| Housing material | Al (aluminium) alloy | |
| Housing surface | powder coated | |
| Housing color | grey (similar to RAL 9006) | |
| Locking system material & surface | steel Zn-plated | |
| Sealing material | NBR | |

| | | | | | | | | | |
|--------------------------------------|--|------------------------|--|----------------------------|--|---|--|----------------------------|--|
| Gewicht (errechnet) / Calc WT: 178 g | | Zul. Abw./Tolerances: | | Maßstab / Scale: 1:1 (1:2) | | A3 | | | |
| Prüfmaß / Testdimension | | ISO 2768-mH | | DIN / ISO 13715 | | CUSTOMER DRAWING | | | |
| Teileindex / Partindexnumber: | | | | | | | | | |
| Bagatelle change: 27.09.2022 NTEWS | | Gez. 14.08.2014 | | Drawn jhoennige | | Kupplungsgehäuse E10 M32 coupling hood E10 M32 | | | |
| | | Status Released | | | | | | | |
| | | Gepr. 15.04.2021 | | Checked MBERTSCH | | M C146 21R010 804 8 | | | |
| | | | | | | | | | |
| 04 202100101 | | 01.10.2021 | | PWÖLF | | Blatt / Sheet 1 | | 1 Bl. | |
| Index | | Änderung / Description | | Datum / Date | | Name | | Ers. f. / Replacement for: | |

Alle technischen Daten wurden unter Laborbedingungen ermittelt und können im Praxisbetrieb abweichen.
 Es handelt sich bei den Angaben weder um Beschaffenheits- noch um Haltbarkeitsgarantien.
 All technical data have been measured in a laboratory environment and can be different during practical usage of the product. Any product information is for descriptive usage only and not legally binding; particularly the information does not constitute or provide any legal guarantees ("Beschaffenheitsgarantie" or "Haltbarkeitsgarantie").

FAI2021-001489
NXM-V04