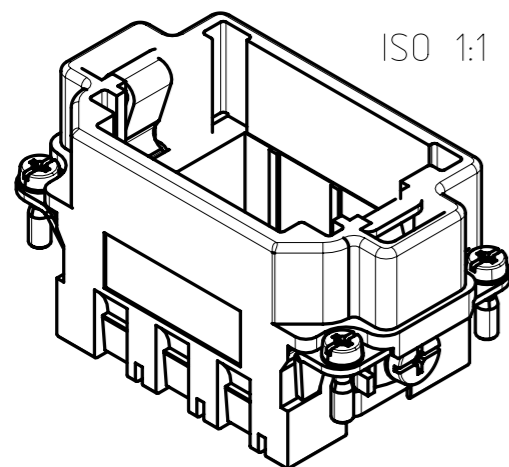
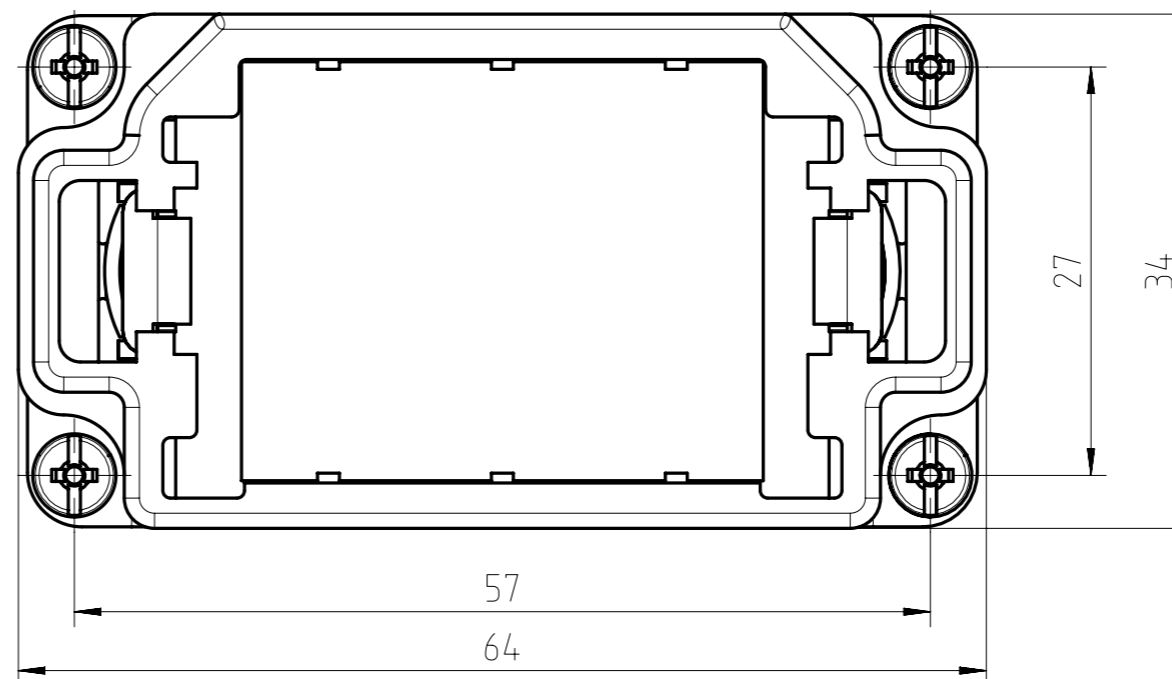
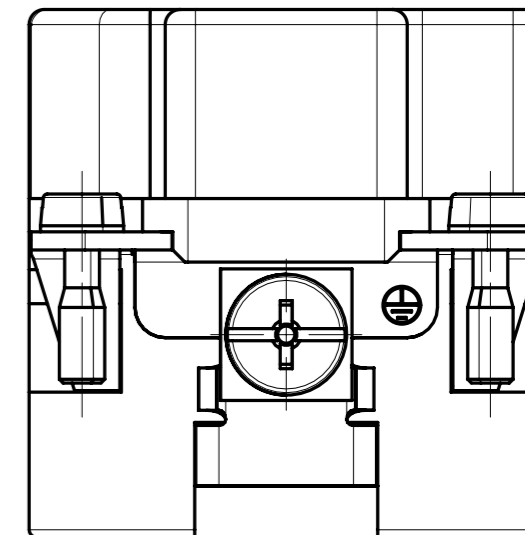
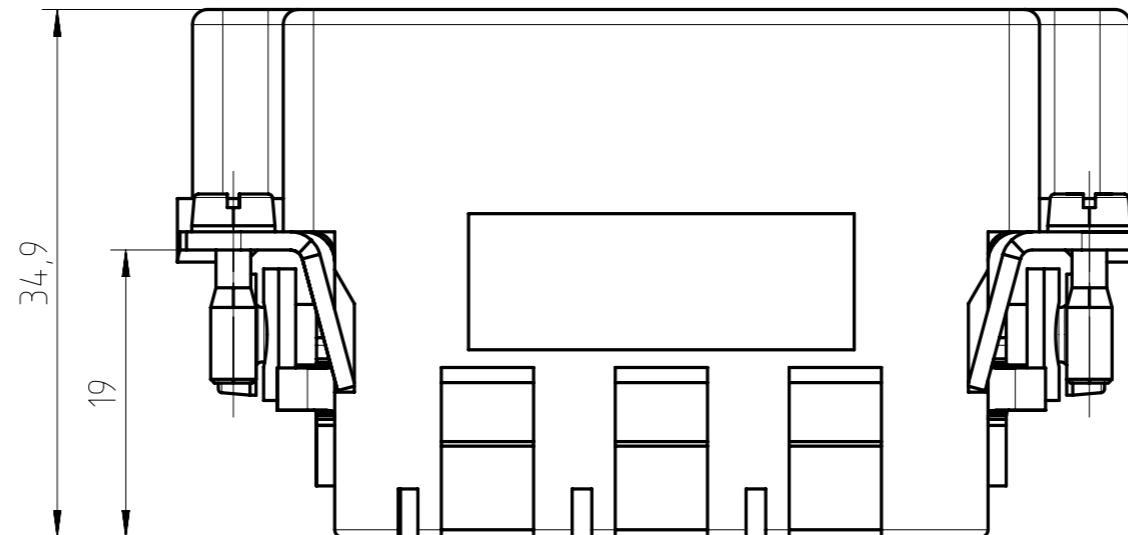
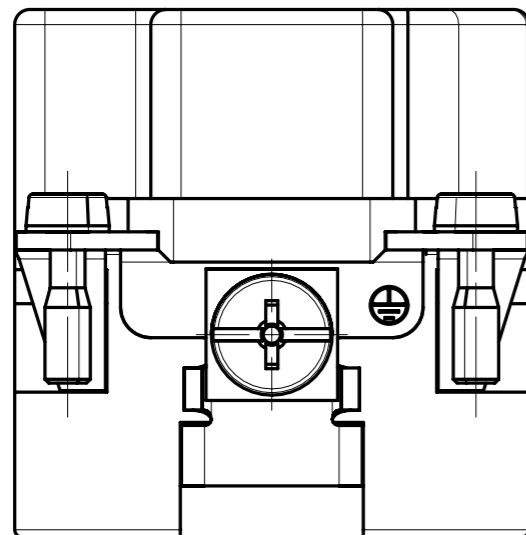


Copying of this document and giving it to others and the use or communication of the contents thereof, are forbidden without express authority. Offenders are liable to the payment of damages. All rights are reserved in the event of the grant of a patent or the registration of the utility model or design.



Rahmen für Stiftmodule
frame for pin modules

Alle technischen Daten wurden unter Laborbedingungen ermittelt und können im Praxisbetrieb abweichen.
 Es handelt sich bei den Angaben weder um Beschaffenheits- noch um Haltbarkeitsgarantien.
 All technical data have been measured in a laboratory environment and can be different during practical usage of the product. Any product information is for descriptive usage only and not legally binding; particularly the information does not constitute or provide any legal guarantees ("Beschaffenheitsgarantie" or "Haltbarkeitsgarantie").

Gewicht (errechnet) / Calc WT: g		Zul. Abw./ Tolerances:		Maßstab / Scale: 2:1 (1:1)		A3			
Prüfmaß / Testdimension						CUSTOMER DRAWING			
Teileindex Partindexnumber				2014 Datum/Date					
				Gez. 05.12.		Hoe.		Rahmen 10pol 2xPE frame 10pole 2xPE	
				Drawn					
				Gepr.					
				Checked					
01		2014-00004		05.12.14		Hoe.		Amphenol-Tuchel Electronics GmbH M C146 P10 002 G8	
Index		Änderung/Description		Datum/Date		Name		Blatt/Sheet 1 1 Bl.	
								Ers. f. / Replacement for:	