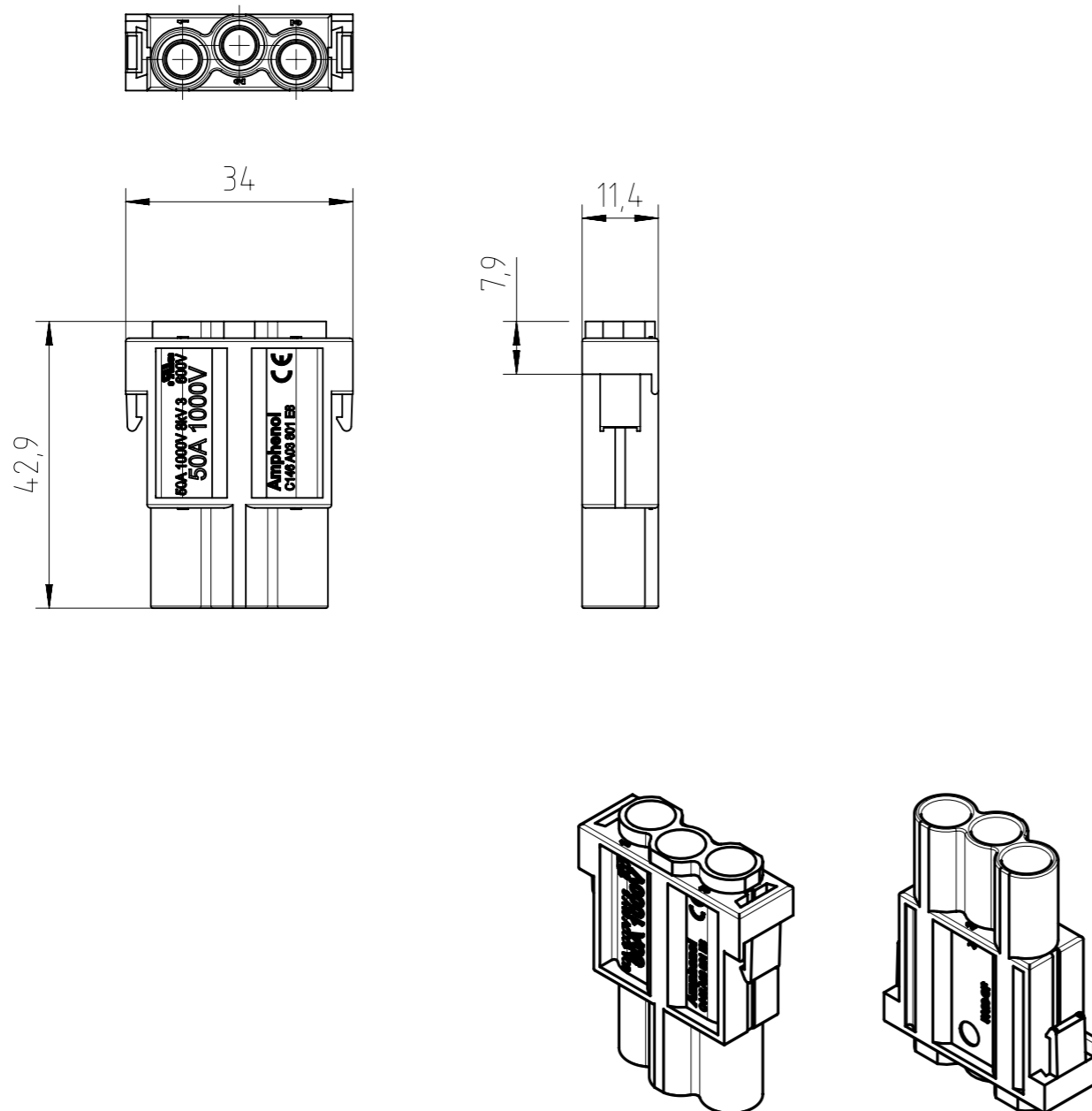


Find out more about our products on:
www.amphenol-industrial.de



Alle technischen Daten wurden unter Laborbedingungen ermittelt und können im Praxisbetrieb abweichen. Es handelt sich bei den Angaben weder um Beschaffenheits- noch um Haltbarkeitsgarantien. All technical data have been measured in a laboratory environment and can be different during practical usage of the product. Any product information is for descriptive usage only and not legally binding; particularly the information does not constitute or provide any legal guarantees ("Beschaffenheitsgarantie" or "Haltbarkeitsgarantie").

General Characteristics	Standard	Value
number of contacts		3
contacts termination technique		crimp
contacts type		machined contacts
contacts wire gauge		1,5 mm ² - 10 mm ² AWG 16 - AWG 8
contacts max. cable diameter		∅ 7,2 mm
protection class	IEC 60529	IP20 (unmated) IP20 (mated)
approvals	UL 1977	ECBT2E63093
	CSA C22.2	ECBT8E63093
Electrical Characteristics	Standard	Value
rated voltage	IEC 60664-1	1000 V (UL/CSA: 600 V)
pollution degree	IEC 60664-1	3
rated impulse withstand voltage	IEC 60664-1	8 kV
rated current T _{amb} = 40 °C		50 A
current carrying capacity	IEC 60512-5-2	see derating curve
contact resistance	IEC 60512-2-1	≤ 5 mΩ
insulation resistance	IEC 60512-3-1	≥ 10 ¹⁰ Ω
Climatical Characteristics	Standard	Value
operating temperature	IEC 60068-1	-40 - +125°C
Mechanical Characteristics	Standard	Value
mechanical operation	IEC 60512-9-1	≥10000 mating cycles
Materials	Standard	Value
module material		PA-GF
module flammability	UL 94	V-0
module color		black

Gewicht (errechnet) / Calc WT: 8 g		Zul. Abw./Tolerances:		Maßstab / Scale: 1:1		A3			
Prüfmaß / Testdimension		ISO 2768-m		DIN / ISO 13715		CUSTOMER DRAWING			
Teileindex / Partindexnumber:									
Bagatelle change:						Stiftmodul 3-Pol pin module 3 pole			
		Gez. Drawn		01.09.2017 PWÖLFFLE					
		Status		Released					
		Gepr. Checked		16.10.2023 MBERTSCH		M C146 A03 801 E8			
04 202300083 16.08.2023 PWÖLF						Blatt / Sheet 1			
03 202100147 08.04.2021 PWÖLF									
02 201700257 01.09.2017 PWÖLF						1 Bl.			
Index Änderung / Description Datum / Date Name									
						Ers. f. / Replacement for:			

Amphenol Tuchel Industrial GmbH

FAI2023-000801
NXM-V07