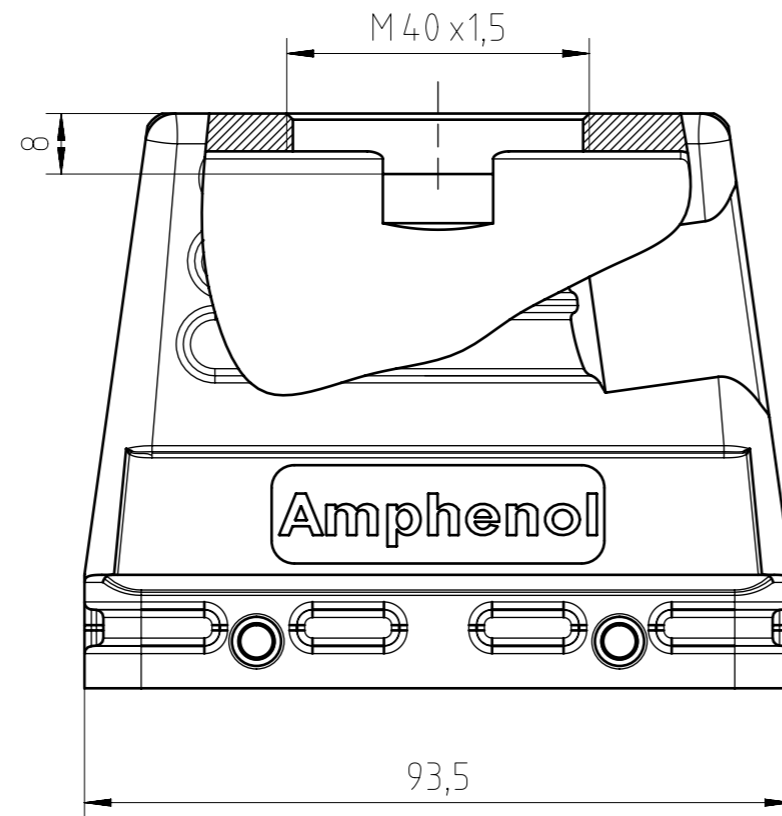
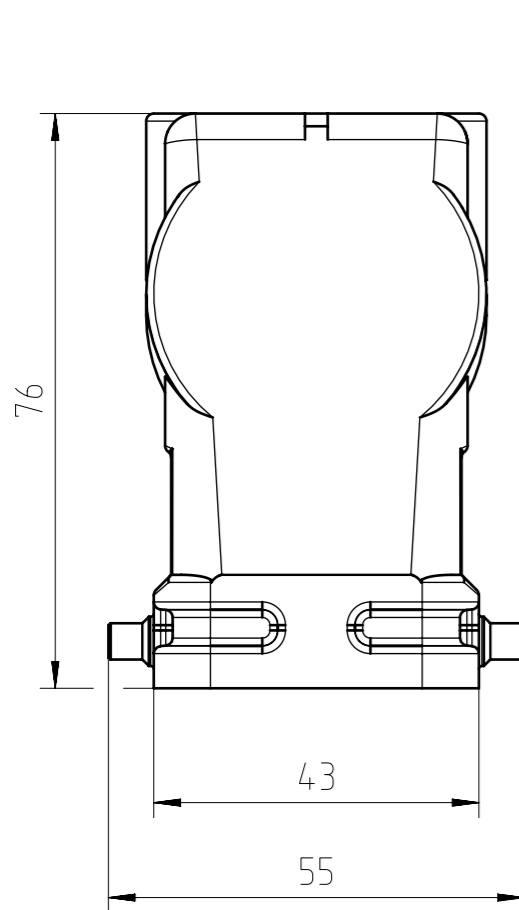
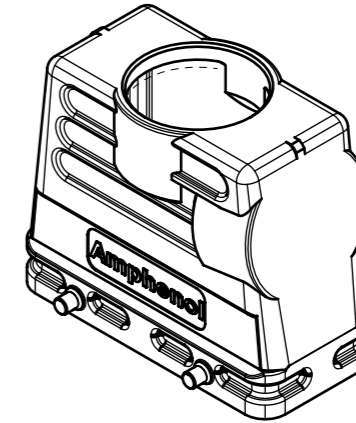
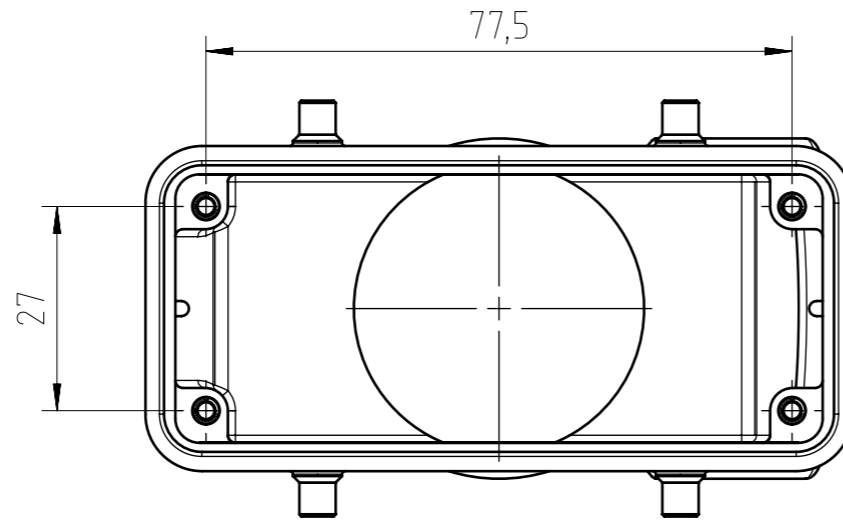


Find out more about our products on:
www.amphenol-industrial.de



General Characteristics	Standard	Value
Type		hood
Protection class	IEC 60529	IP65 & IP66 & IP67
Locking System	DIN EN 175 301-801 (DIN 43 652)	2 locking levers
Cable entry & position		M40 top
Climatical Characteristics	Standard	Value
Operating temperature	IEC 60068-1	-40°C - +100°C
Mechanical Characteristics	Standard	Value
Mechanical operation	IEC 60512-9-1	≥500 mating cycles
Materials	Value	
Housing material	Al (Aluminium) alloy	
Housing surface	EMC coated	
Housing color	grey (similar to RAL 9006)	

Gewicht (errechnet) / Calc WT: 178 g		Zul. Abw./Tolerances:		Maßstab / Scale: 1:1 (1:2)		A3			
Prüfmaß / Testdimension		ISO 2768-mH		DIN / ISO 13715		CUSTOMER DRAWING			
Teileindex / Partindexnumber:									
Bagatelle change:						Tüllengehäuse E16 M40 hood E16 M40			
		Gez. 27.05.2021				M C146 11R016 601 8			
		Drawn APN_MSEIDEL							
		Status Released				Blatt / Sheet 1 1 Bl.			
		Gepr. 28.05.2021							
		Checked MBERTSCH				Ers. f. / Replacement for:			
02 202100101		21.09.2021		PWOLF		Amphenol Tuchel Industrial GmbH			
Index		Änderung / Description		Datum / Date					

Alle technischen Daten wurden unter Laborbedingungen ermittelt und können im Praxisbetrieb abweichen. Es handelt sich bei den Angaben weder um Beschaffenheits- noch um Haltbarkeitsgarantien. All technical data have been measured in a laboratory environment and can be different during practical usage of the product. Any product information is for descriptive usage only and not legally binding; particularly the information does not constitute or provide any legal guarantees ("Beschaffenheitsgarantie" or "Haltbarkeitsgarantie").