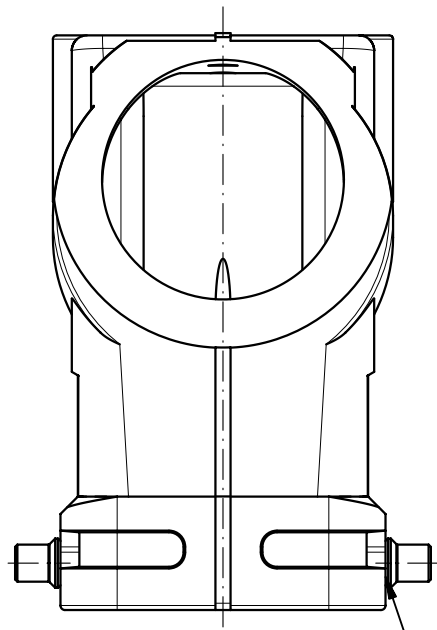


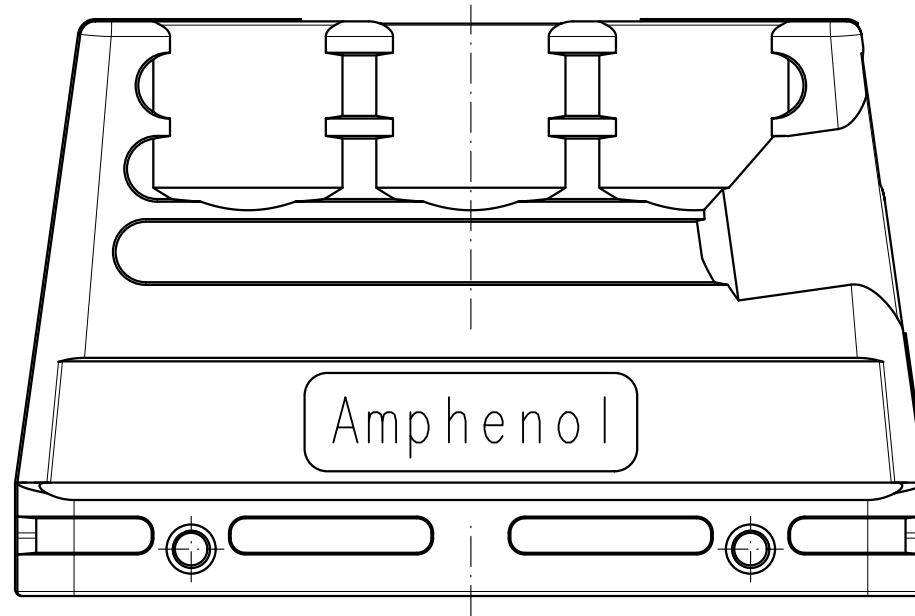
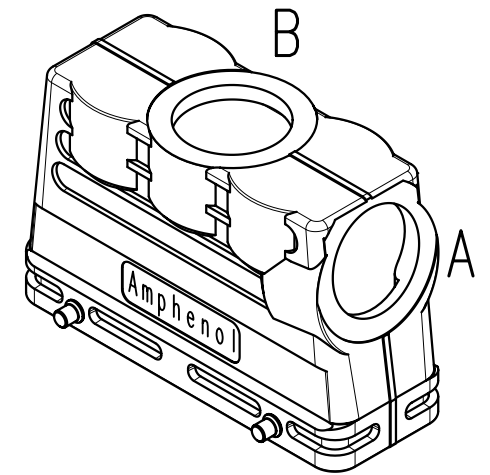
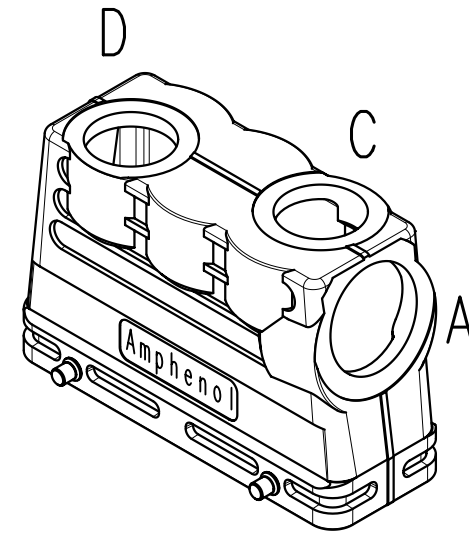
Copying of this document and giving it to others and the use or communication of the contents thereof, are forbidden without express authority. Offenders are liable to the payment of damages. All rights are reserved in the event of the grant of a patent or the registration of the utility model or design.

Alle technischen Daten wurden unter Laborbedingungen ermittelt und können im Praxisbetrieb abweichen. Es handelt sich bei den Angaben weder um Beschaffenheits- noch um Haltbarkeitsgarantien.
 All technical data have been measured in a laboratory environment and can be different during practical usage of the product. Any product information is for descriptive usage only and not legally binding; particularly the information does not constitute or provide any legal guaranties ("Beschaffenheitsgarantie" or "Haltbarkeitsgarantie").



Dicht: Schutzart IP 65*
 leakproof:
 protection class IP 65

* gilt nur für 10pol-Gehäuse
 Bolzen bei 16pol- und 24pol-Gehäusen angegossen
valid only for 10pole-hoods
bolts at 16pole- and 24pole-hoods cast-on



Fertigungszustand: gratfrei
 Final Product: without burrs

Masse (errechnet)/Calc WT: 9		Zul. Abw./Tolerances:		Maßstab/Scale 1:1; 1:2		A3			
Prüfmaß/Testdimension						CUSTOMER DRAWING			
Teileindex Partindexnumber				12		Datum/Date		Name	
				Gez.		07.12.		Hoe.	
				Drawn					
				Gepr.					
				Checked					
02 201300733		28.10.13		Hoe.		Amphenol-Tuchel		Blatt/Sheet	
01 201200718		07.12.12		Hoe.		Electronics GmbH		1	
Index		Änderung/Description		Datum/Date		Name		1 Bl.	
								Ers. f./Replacement for:	