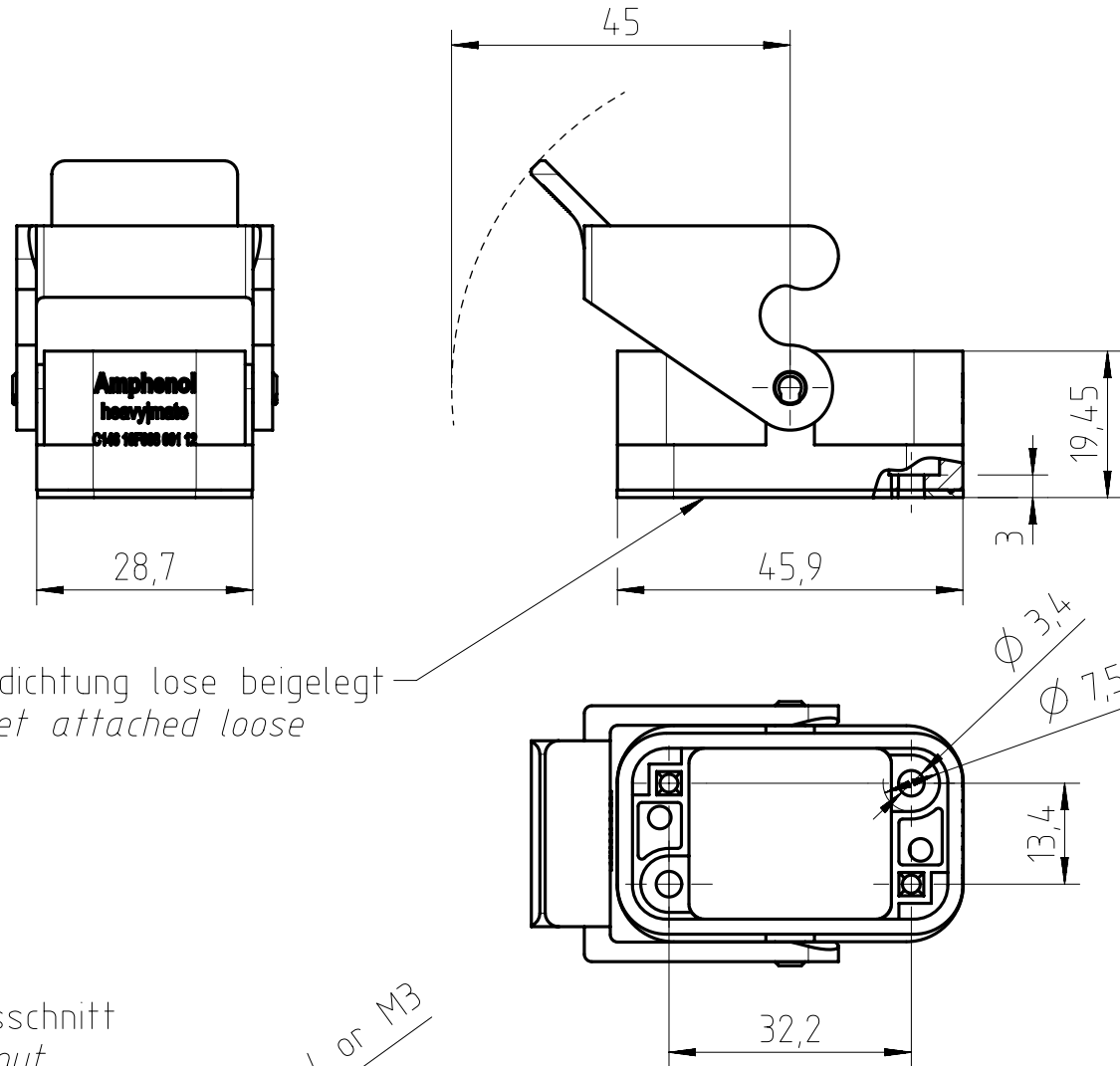
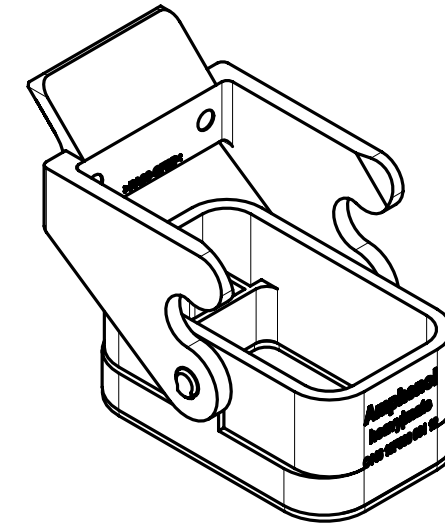
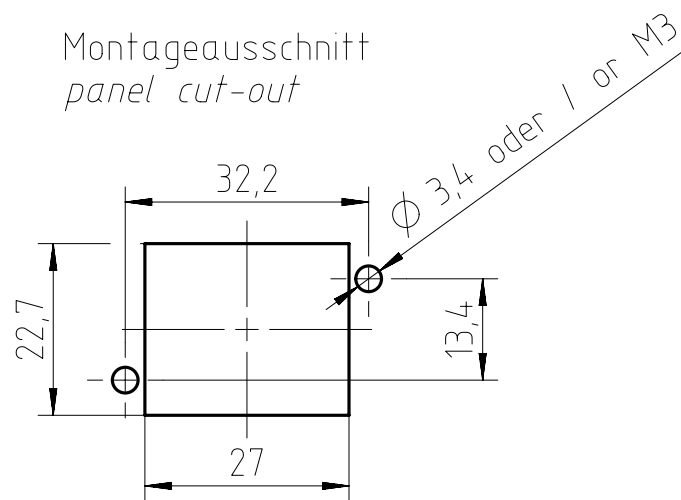


Find out more about our products on:
www.amphenol-industrial.de



Flachdichtung lose beigelegt
gasket attached loose

Montageausschnitt
panel cut-out



General Characteristics	Standard	Value
type		housing bulkhead mounting
protection class	IEC 60529	IP65
locking System		1 locking lever
amount x size of cable entries & position		-
Climatical Characteristics	Standard	Value
operating temperature	IEC 60068-1	-40°C / +125°C
Mechanical Characteristics	Standard	Value
mechanical operation	IEC 60512-9-1	≥500 mating cycles
torque 2x mounting bolts		1,7 Nm
Materials	Standard	Value
housing material		PC-GF
lever material		PA-GF
housing & lever color		black
housing & lever flammability	UL 94	V-0
gasket material		NBR

Gewicht (errechnet) / Calc WT: 20 g		Zul. Abw./Tolerances:		Maßstab / Scale: 1:1		A3	
Prüfmaß / Testdimension		ISO 2768-m		DIN / ISO 13715		CUSTOMER DRAWING	
Teileindex / Partindexnumber:		Gez. 17.09.2013		Status Released		Anbaugeschäule C146Q	
Bagatelle change:		DSC-MIG		Gepr. 11.10.2021		housing bulkhead mounting C146Q	
		Checked MBERTSCH		Amphenol Tuchel Industrial GmbH		Blatt / Sheet 1	
03 202100315		11.10.2021 PWOLF		M C146 10F008 001 12		1 Bl.	
Index Änderung / Description		Datum / Date Name		Ers. f. / Replacement for:		NXM-V03	

Alle technischen Daten wurden unter Laborbedingungen ermittelt und können im Praxisbetrieb abweichen. Es handelt sich bei den Angaben weder um Beschaffenheits- noch um Haltbarkeitsgarantien.
All technical data have been measured in a laboratory environment and can be different during practical usage of the product. Any product information is for descriptive usage only and not legally binding, particularly the information does not constitute or provide any legal guarantees ("Beschaffenheitsgarantie" or "Haltbarkeitsgarantie").