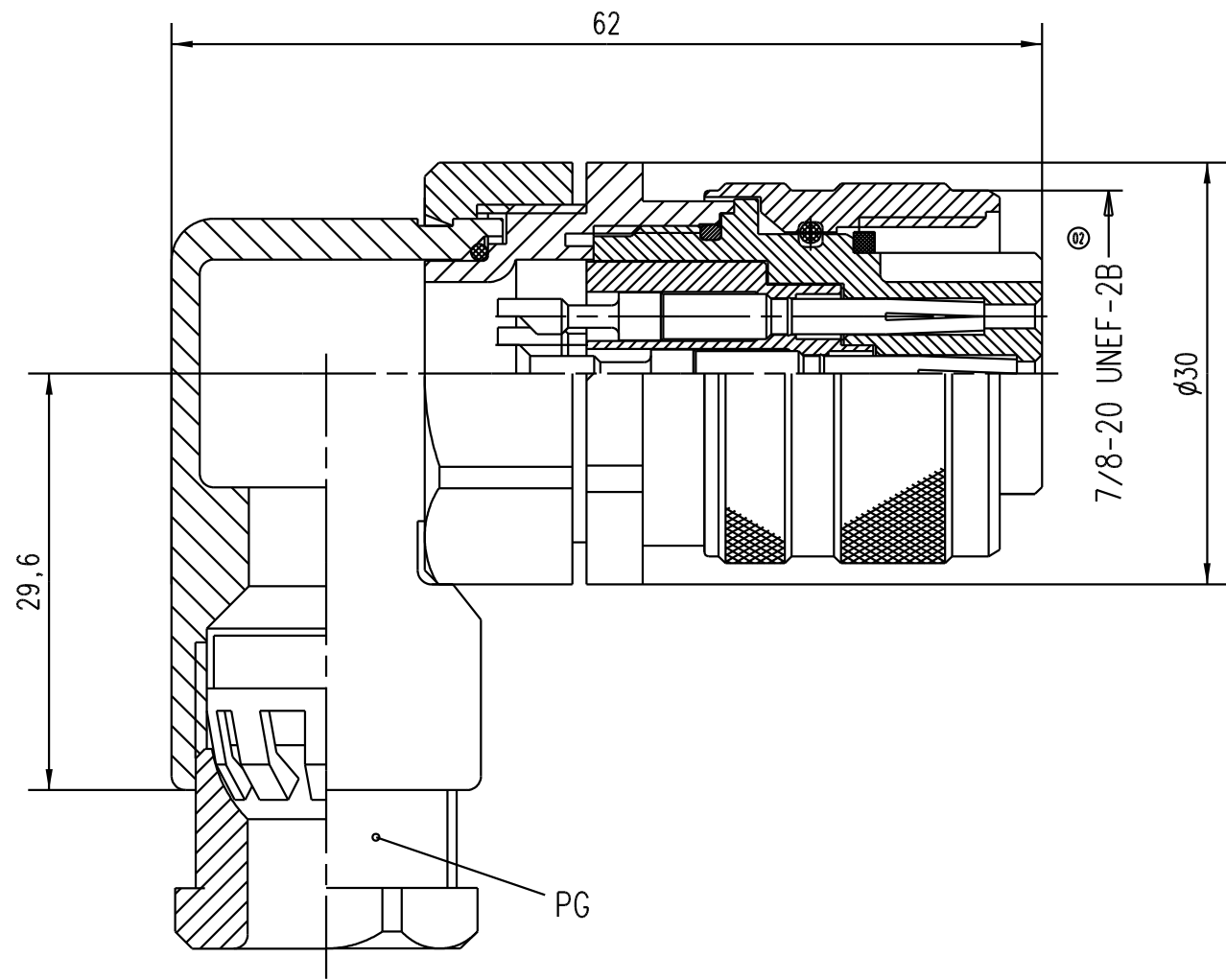


Copying of this document and giving it to others and the use or communication of the contents thereof, are forbidden without express authority. Offenders are liable to the payment of damages. All rights are reserved in the event of the grant of a patent or the registration of the utility model or design.

Steckverbinder nach EN 17 5000 (DIN 43 563)
 Circular connector according EN 17 5000 (DIN 43 563)

| Polzahl number of contacts | Norm standard | 6 | 6+PE |
|--|------------------------------|--|------|
| Kontaktanordnung nach DIN contact arrangement acc. to DIN Kontaktanordnung nach IEC contact arrangement acc. to IEC | EN 17 50000 (DIN 43 563) | | |
| Bemessungsspannung rated voltage | IEC 60664-1 | 150V | |
| Bemessungs-Stoßspannung rated impulse withstand voltage | IEC 60664-1 | 2500V | |
| Verschmutzungsgrad Pollution degree | IEC 60664-1 | 3 | |
| Überspannungskategorie Installation category | IEC 60664-1 | III | |
| Isolierstoffgruppe insulation group | IEC 60664-1 | III | |
| Prüfspannung test voltage | IEC 60664-1 | 1390V | |
| Strombelastbarkeit current rating | IEC 60512-3 Test 5b | 0,5 mm ² / 6A / +70°C Umgebungstemperatur / ambient temperature 1,5 mm ² / 9A / +70°C Umgebungstemperatur / ambient temperature | |
| Anschluss technik termination technique | | löten solder | |
| Anschlussquerschnitt wire gauge | | 0,14-0,5 mm ² , 0,5-1,5 mm ² | |
| Kontakt oberfläche contact plating | | versilbert silver plated | |
| Temperaturbereich temperatur range | IEC 60512-11 IEC 60512-12 | - 40°C ... +100°C - 40°F ... +212°F | |
| Prüfklasse climatic category | IEC 60068-1 | 40/100/56 | |
| Verriegelung locking system | | schrauben ; Anzugsmoment 1,5-2,0 Nm screw coupling; tightening torque 1,5-2,0 Nm | |
| IP-Schutzart IP-degree | IEC 60529 | IP 65 | |
| Durchgangswiderstand contact resistance | IEC 60512-2-1 | ≅ 5m Ω | |
| Isolationswiderstand insulation resistance | IEC 60512-3-1 | ≅10 ¹⁰ Ω , bei ungünstigen Bedingungen ≅10 ¹⁰ Ω , under unfavourable conditions | |
| Werkstoff Kontaktträger dielectric material | | PA 6.6 | |
| Werkstoff Gehäuse housing material | | AI | |
| Brennbarkeit flammability | | UL 94 V-0 | |
| Mechanische Lebensdauer Mechanical operation | | ≅ 500 Steckzyklen ≅ 500 mating cycles | |
| Steck- und Ziehkraft insertion and withdrawal force | IEC 60512-13-2 Test 13b | 50 N | |

IEC 60664-1 ≅ DIN VDE 0110
 ICE 60 512-x ≅ DIN EN 60 512-x
 ICE 60 68 ≅ DIN EN 60 068-x



| | | | |
|--------|-------------------------------|--------------------------------------|---------------------------------------|
| | 6 | C015 30F006 001 2 | C015 30F006 002 2 |
| | 6+PE | C015 30F006 001 1 | C015 30F006 002 1 |
| Symbol | Polzahl number of contacts | PG 9 Kabeldurchmesser: 8-10 mm | PG11 Kabeldurchmesser: 12-12 mm |

| | | | | |
|--|----------------------------------|-------------------------------------|---------------------|---------------|
| Masse [errechnet]/Calc. WT: 9 | Zul. Abw./Tolerances: | Maßstab/Scale 2:1 | A3 | |
| Prüfmaß/Test dimension | | CUSTOMER DRAWING | | |
| Teileindex Part index number | | Kabeldose female cable connector | | |
| | 13 Datum/Date Name | | | |
| | Gez. 07.02. Tol. | | | |
| | Drawn | | | |
| | Gepr. | | | |
| | Checked | | | |
| 02 201700059 27.01.17 RSCHA | Amphenol-Tuchel Electronics GmbH | | M C015 30F006 00X X | Blatt/Sheet 1 |
| 01 201300113 07.02.13 Tol. | | | | 1 Bl. |
| Index Änderung/Description Datum/Date Name | Ers. l./Replacement for: | | | |