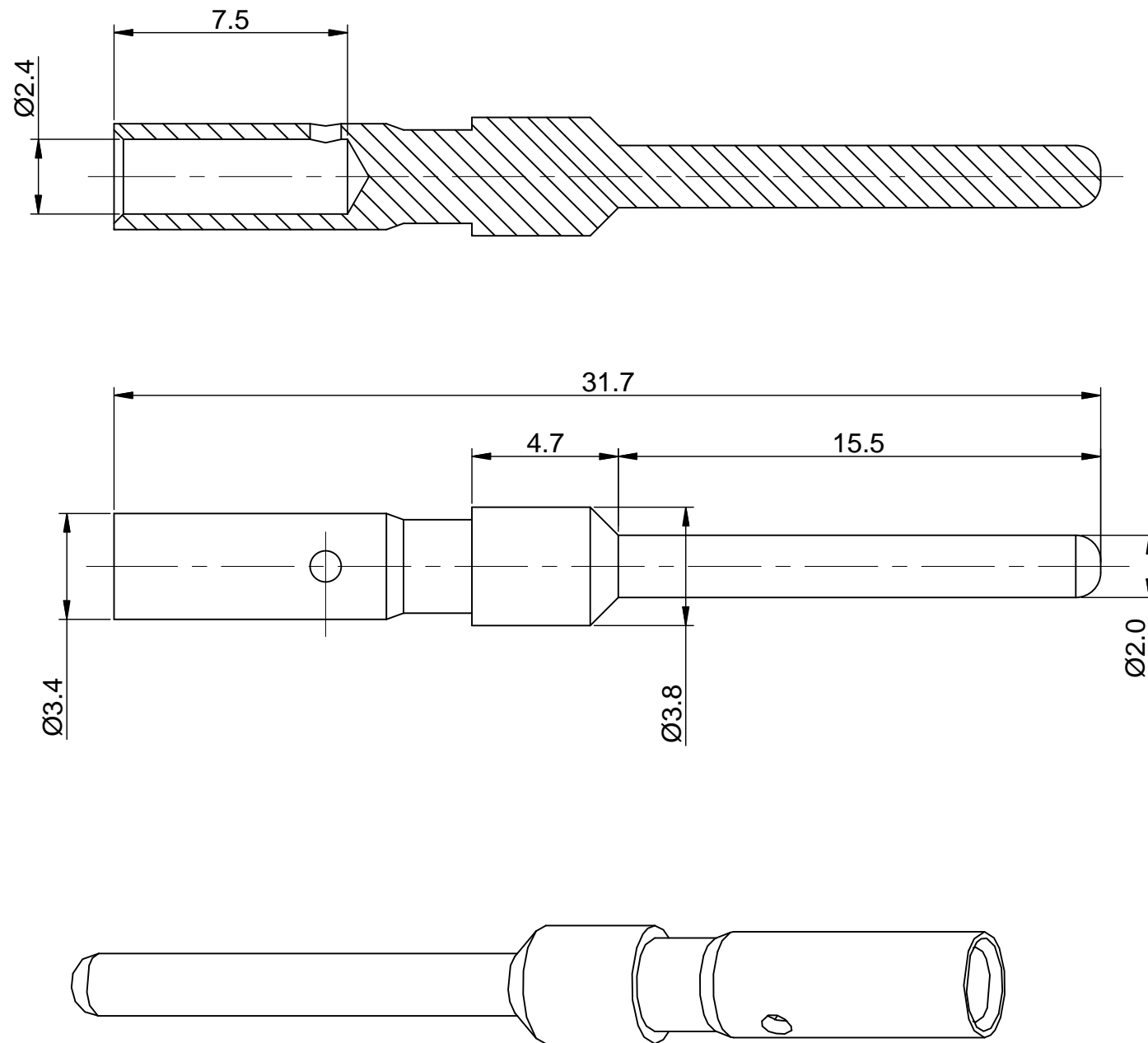


| REVISIONS |     |                        |          |     |       |
|-----------|-----|------------------------|----------|-----|-------|
| REV       | ECO | DESCRIPTION            | DATE     | BY  | APPR  |
| B1        | -   | RELEASE NEW DWG FORMAT | 06/16/14 | TOD | TOMMY |



NOTES: UNLESS OTHERWISE SPECIFIED

- MATERIAL: COPPER ALLOY, GOLD PLATED
- SPECIFICATIONS:
  - RATED CURRENT: 30 AMPS
  - CONTACT RESISTANCE: <3 milliohm
  - AVAILABLE WIRE RANGE: 18AWG~14AWG
  - RoHS COMPLIANT
- ALL DIMENSIONS ARE FOR REFERENCE USE ONLY.

TITLE: Pin contact, 14# Crimp 18-14AWG  
 DWG NO: SC000040  
 REV: B1  
 SH: 1  
 OF: 1

| QUANTITY  | SEE PART NUMBER<br>CHART<br>PART NUMBER | DESCRIPTION  | ITEM  |
|---|---|--|---|
| <b>MATERIALS LIST</b>   |   |  |   |
| UNLESS OTHERWISE SPECIFIED<br>1) All dimensions are in metric(mm).<br>2) Tolerances are as follows:<br>1 PL DEC ±0.30<br>2 PL DEC ±0.15<br>3 PL DEC ±0.08<br>Fractions ±1/64<br>Angles ±1°<br>3) Note reference = |   | SIGNATURES<br>DRAWN: Tod<br>CHECKED:<br>ENGINEER:<br>APPROVAL:<br>DATE<br>06/16/14   | <b>Amphenol</b><br>Sine Systems - www.amphenol-sine.com<br>44724 Morley Drive<br>Clinton Township, MI 48036 |
| MATERIAL SPECIFICATIONS:  |   | CUSTOMER:  | Pin contact, 14#, Crimp 18~14AWG  |
| PROCESS SPECIFICATIONS:   |   | THIS DRAWING IS SUPPLIED FOR INFORMATION ONLY. DESIGN FEATURES, SPECIFICATIONS AND PERFORMANCE DATA SHOWN HEREON ARE THE PROPERTY OF THE AMPHENOL CORPORATION. NO RIGHTS OF REPRODUCTION ARE IMPLIED. ALL DIMENSIONS ARE SUBJECT TO NORMAL MANUFACTURING VARIATIONS. |   |
| NEXT ASSY:  |   | SIZE: <b>B</b><br>TYPE: <b>C-</b><br>SCALE: NONE   | DWG NO: <b>SC000040</b><br>REVISION: <b>B1</b><br>SHEET 1 OF 1  |