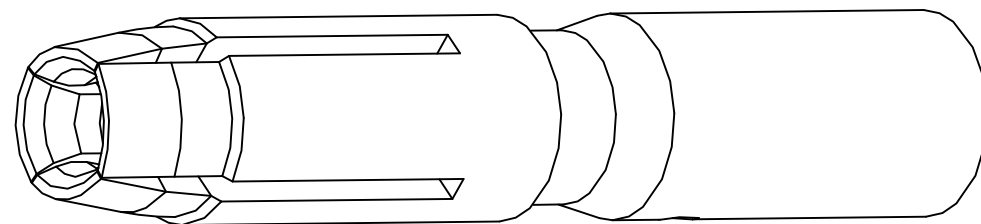
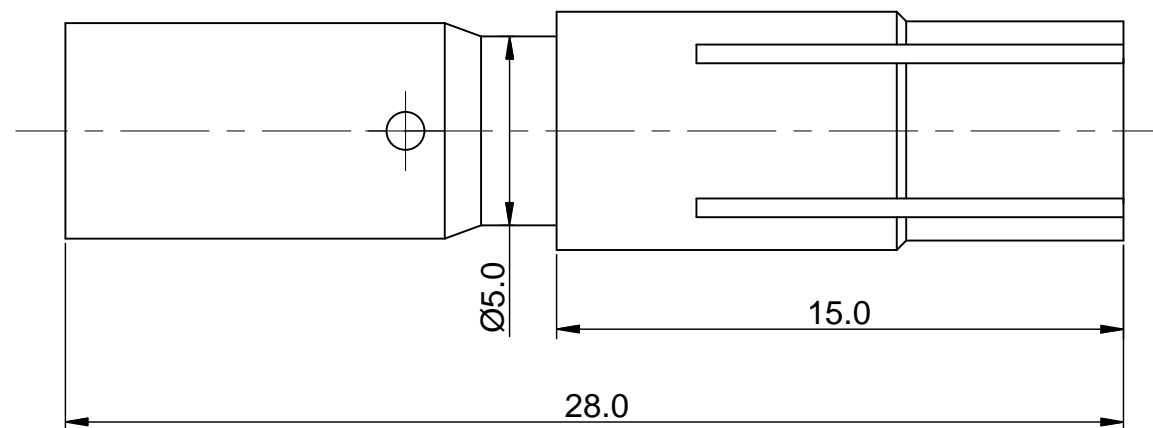
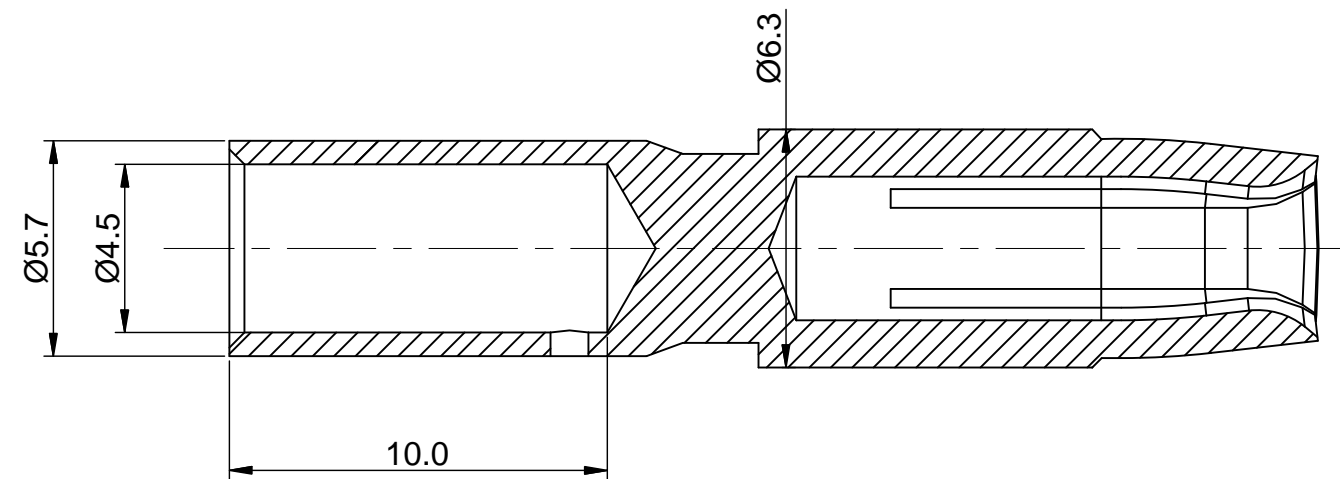


| REVISIONS | | | | | |
|-----------|-----|------------------------|----------|-----|-------|
| REV | ECO | DESCRIPTION | DATE | BY | APPR |
| B1 | - | RELEASE NEW DWG FORMAT | 06/16/14 | TOD | TOMMY |



NOTES: UNLESS OTHERWISE SPECIFIED

1. MATERIAL: COPPER ALLOY, GOLD PLATED

2. SPECIFICATIONS:

- 2.1 RATED CURRENT: 75 AMPS
- 2.2 CONTACT RESISTANCE: <1 milliohm
- 2.3 AVAILABLE WIRE RANGE: 12AWG~8AWG
- 2.4 RoHS COMPLIANT

3. ALL DIMENSIONS ARE FOR REFERENCE USE ONLY.

TITLE: Socket,Machined,8#,Crimp 12-8AWG
 DWG NO: SC000046
 REV: B1
 SH: 1
 OF: 1

| QUANTITY | SEE PART NUMBER CHART PART NUMBER | DESCRIPTION | ITEM |
|---|---|---|--|
| MATERIALS LIST | | | |
| UNLESS OTHERWISE SPECIFIED 1) All dimensions are in metric(mm). 2) Tolerances are as follows: 1 PL DEC ±0.30 2 PL DEC ±0.15 3 PL DEC ±0.08 Fractions ±1/64 Angles ±1° 3) Note reference = \triangle X | | SIGNATURES DRAWN: Tod CHECKED: ENGINEER: APPROVAL: | DATE 06/16/14 |
| MATERIAL SPECIFICATIONS: | | Amphenol Sine Systems - www.amphenol-sine.com 44724 Morley Drive Clinton Township, MI 48036 | |
| PROCESS SPECIFICATIONS: | | | |
| NEXT ASSY: | | CUSTOMER: THIS DRAWING IS SUPPLIED FOR INFORMATION ONLY. DESIGN FEATURES, SPECIFICATIONS AND PERFORMANCE DATA SHOWN HEREON ARE THE PROPERTY OF THE AMPHENOL CORPORATION. NO RIGHTS OF REPRODUCTION ARE IMPLIED. ALL DIMENSIONS ARE SUBJECT TO NORMAL MANUFACTURING VARIATIONS. | |
| | | SIZE: B SCALE: NONE | TYPE: C- DWG NO: SC000046 SHEET 1 OF 1 |
| | | REVISION: B1 | |