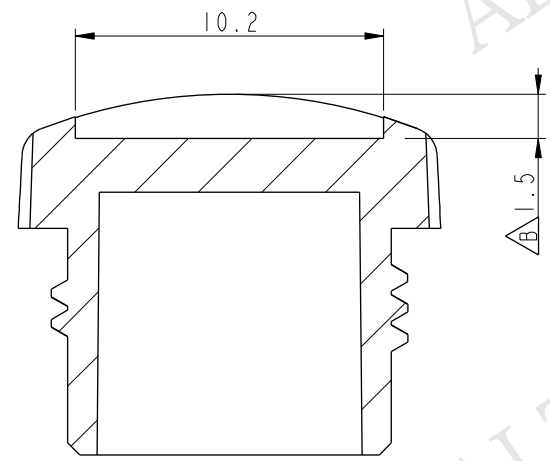
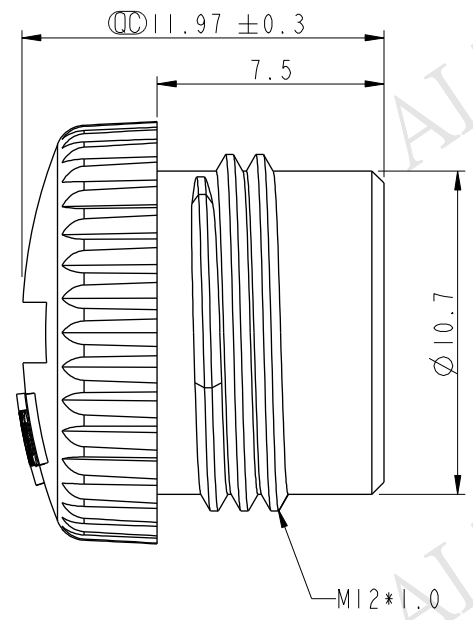
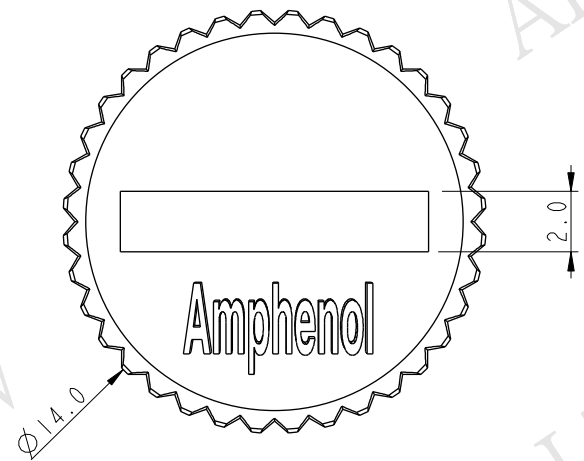


THIS DOCUMENT IS SUBJECT TO CHANGE WITHOUT NOTICE. IT IS CONFIDENTIAL AND A PROPERTY OF Amphenol LTW. DISCLOSURE TO THIRD PARTY HAS TO BE AUTHORIZED BY Amphenol LTW.

REV.	ECN NO.	DATE	SIGN	DESCRIPTION
A	Initial Release	2013/09/12	Vicky	Old Item No. CAP-WBDMFSAI
B	LEN1490175	2014/09/11	Vicky	Update Dimension

ALTW
 CONFIDENTIAL
 2014-09-11
 R&D DEPT.



ALTW
 DCC. DEPT.
 CONFIDENTIAL
 2014.09.15
 ISSUED

Note:
 * CC Important Dimension.
 * Waterproof Rate: IP67
 * Cap: PC+ABS, Black

UNIT: mm		
TOLERANCE	.X	± 0.25
	.XX	± 0.1
	.XXX	± 0.05
ANGLES		$\pm 1^\circ$

TITLE Waterproof Cap M12*1.0P For Female Conn Screw Type			
SCALE	4:1	SIZE	A4
REV.	B	WC-REV.	A.1
		CC : Inspection item	

Amphenol LTW
 安費諾亮泰企業股份有限公司

ITEM NO.	CAP-WBDFSMAI	DRAWN BY	Vicky	DATE	2014-09-11
DWG NO.	CAP-WBDFSMAI	CHECKED BY	Sam	DATE	2014-09-11
CUSTOMER	ALTW	APPROVED BY	Rita	DATE	2014-09-11