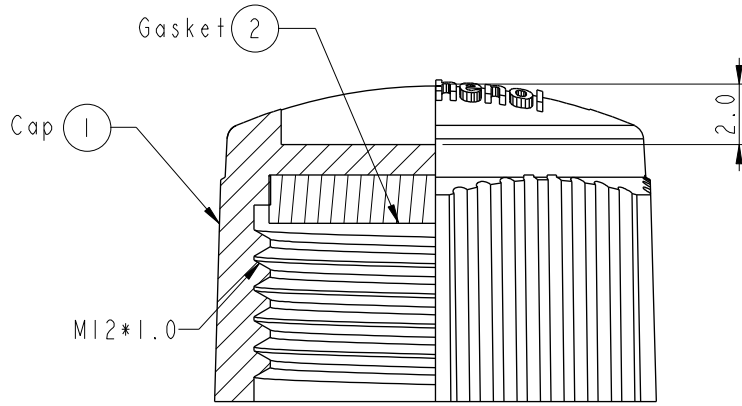
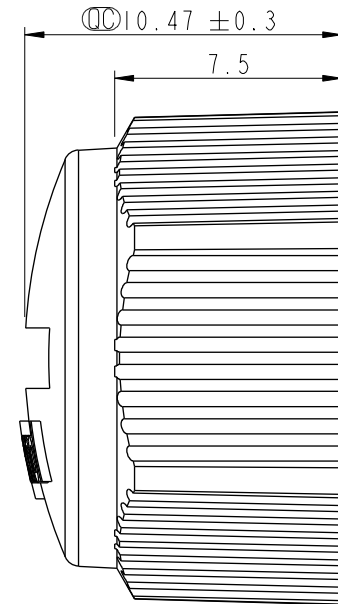
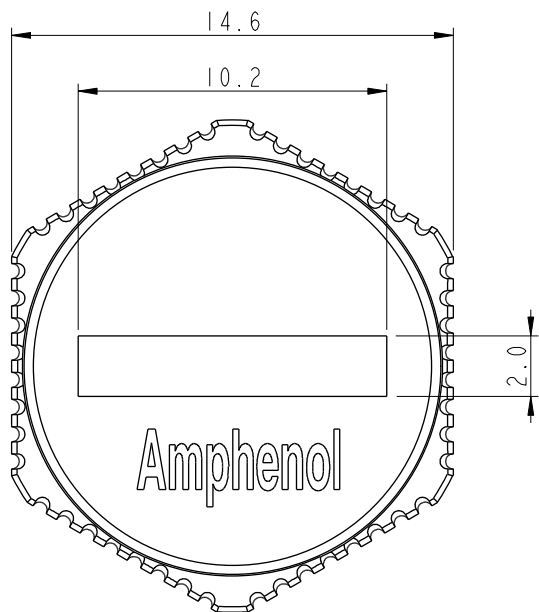


THIS DOCUMENT IS SUBJECT TO CHANGE WITHOUT NOTICE. IT IS CONFIDENTIAL AND A PROPERTY OF Amphenol LTW. DISCLOSURE TO THIRD PARTY HAS TO BE AUTHORIZED BY Amphenol LTW.

| REV. | ECN NO. | DATE | SIGN | DESCRIPTION |
|------|-----------------|------------|-------|---------------------------|
| A | Initial Release | 2013/09/12 | Vicky | Old Item No. CAP-WBDMMSAI |
| | | | | |

ALTW
CONFIDENTIAL
2013-09-12
R&D DEPT.

ALTW
DCC. DEPT.
CONFIDENTIAL
2013.09.16
ISSUED



- Note:
- * \varnothing Important Dimension.
 - * Waterproof Rate: IP67
 - * Cap: PC+ABS, Black
 - * Gasket: EPDM, Black

UNIT: mm

| | |
|-----------|-------|
| TOLERANCE | |
| .X | ±0.25 |
| .XX | ±0.1 |
| .XXX | ±0.05 |
| ANGLES | ±1° |

| | | | |
|--|---------|--------------------|----|
| TITLE Waterproof Cap M12*1.0P For Male Conn Screw Type | | | |
| SCALE | SIZE | SHEET | OF |
| 4:1 | A4 | 1 | 1 |
| REV. | WC-REV. | ⊙: Inspection item | |
| A | A.1 | | |

Amphenol LTW
安費諾亮泰企業股份有限公司

| | | |
|--------------------------|---------------------|--------------------|
| ITEM NO. CAP-WBDMMSAI | DRAWN BY Vicky | DATE 2013-09-12 |
| DWG NO. CAP-WBDMMSAI | CHECKED BY Sam | DATE 2013-09-12 |
| CUSTOMER ALTW | APPROVED BY Rita | DATE 2013-09-12 |