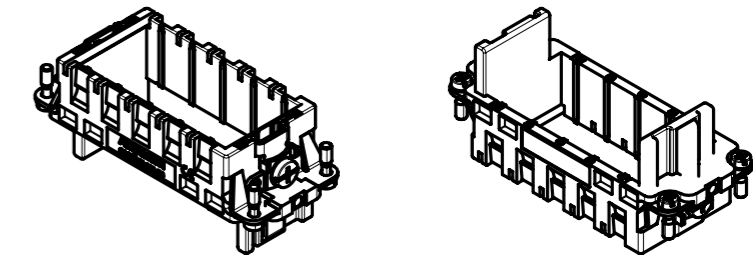
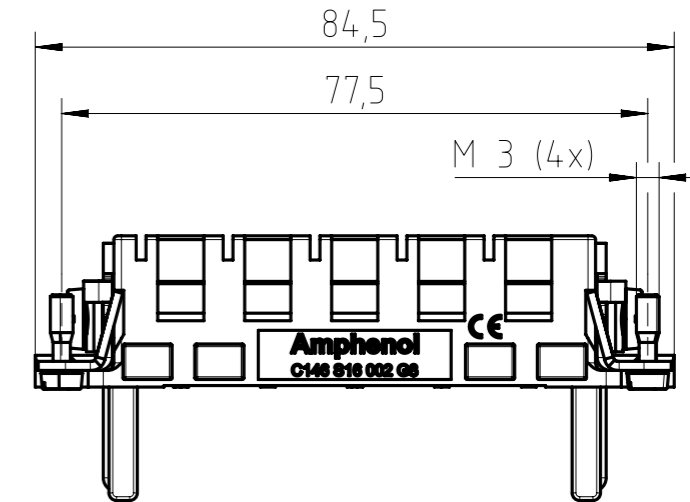
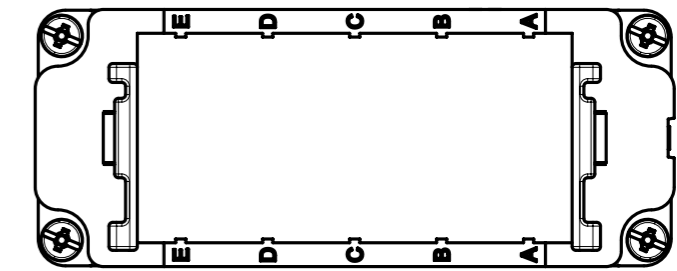
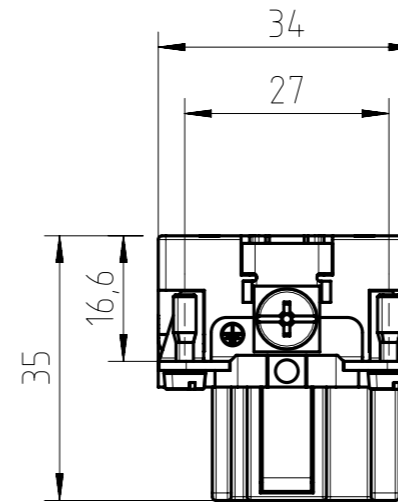


Find out more about our products on:
www.amphenol-industrial.de

General Characteristics	Standard	Value
number of module slots		5
type of modules		socket modules
number of contacts		2xPE
PE contacts termination technique		screw
PE contacts wire gauge (wire end sleeve recommended)		max. 6 mm ² (10 - 16 mm ² with cable lug)
PE contacts torque		1,8 Nm
4xM3 assembly bolts torque		1,2 - 1,8 Nm
Electrical Characteristics	Standard	Value
pollution degree	IEC 60664-1	3
contact resistance	IEC 60512-2-1	≤ 10 mΩ
Climatical Characteristics	Standard	Value
operating temperature	IEC 60068-1	-40 - +125°C
Mechanical Characteristics	Standard	Value
mechanical operation	IEC 60512-9-1	≥500 mating cycles
mating/unmating force (in new condition)	IEC 60512-13-2	≤40 N
Materials	Standard	Value
module frame material		PA-GF
module frame flammability	UL 94	V-0
module frame color		black
PE contacts material		CuZn (brass)
PE contacts plating		Ni (nickel)



Alle technischen Daten wurden unter Laborbedingungen ermittelt und können im Praxisbetrieb abweichen. Es handelt sich bei den Angaben weder um Beschaffenheits- noch um Haltbarkeitsgarantien.
All technical data have been measured in a laboratory environment and can be different during practical usage of the product. Any product information is for descriptive usage only and not legally binding; particularly the information does not constitute or provide any legal guarantees ("Beschaffenheitsgarantie" or "Haltbarkeitsgarantie").

Gewicht (errechnet) / Calc WT: 32 g		Zul. Abw./Tolerances:		Maßstab / Scale: 1:1 (1:2)		A3	
Prüfmaß / Testdimension		ISO 2768-m		CUSTOMER DRAWING			
Teileindex / Partindexnumber:		DIN / ISO 13715		Modulrahmen 5 Module			
Bagatelle change:		Gez. 22.03.2021		module frame 5 modules			
		Drawn PWOELFFLE					
		Status Released					
		Gepr. 25.05.2021					
		Checked MBERTSCH					
		Amphenol Tuchel Industrial GmbH		M C146 S16 002 G8		Blatt / Sheet 1	
02 202100117		22.04.2021 PWOLF		Ers. f. / Replacement for:		1 Bl.	
Index Änderung / Description		Datum / Date				Name	

Coping of this document and giving it to others and the use or communication of the contents thereof, are forbidden without express authority. Offenders are liable to the payment of damages. All rights are reserved in the event of the grant of a patent or the registration of the utility model or design.

Weitergabe sowie Vervielfältigung dieser Unterlage, Verwertung und Mitteilung ihres Inhalts nicht gestattet, soweit nicht ausdrücklich zugestanden. Zuwiderhandlungen verpflichten zu Schadenersatz. Alle Rechte für den Fall der Patenterteilung oder Gebrauchsmuster-Eintragung vorbehalten.

FAI2021-001157
NXM-V03